

Bathymetric Surface Product Specification (Preview PR)

Edition 2.1.0 – October 2022

IHO



International
Hydrographic
Organization

Published by the
International Hydrographic Organization
4b quai Antoine 1^{er}
Principauté de Monaco
Tel: (377) 93.10.81.00
Fax: (377) 93.10.81.40
info@iho.int
www.iho.int

© Copyright International Hydrographic Organization 2022

This work is copyright. Apart from any use permitted in accordance with the Berne Convention for the Protection of Literary and Artistic Works (1886), and except in the circumstances described below, no part may be translated, reproduced by any process, adapted, communicated or commercially exploited without prior written permission from the International Hydrographic Organization (IHO). Copyright in some of the material in this publication may be owned by another party and permission for the translation and/or reproduction of that material must be obtained from the owner.

This document or partial material from this document may be translated, reproduced or distributed for general information, on no more than a cost recovery basis. Copies may not be sold or distributed for profit or gain without prior written agreement of the IHO and any other copyright holders.

In the event that this document or partial material from this document is reproduced, translated or distributed under the terms described above, the following statements are to be included:

“Material from IHO publication [reference to extract: Title, Edition] is reproduced with the permission of the International Hydrographic Organization (IHO) Secretariat (Permission No/...) acting for the International Hydrographic Organization (IHO), which does not accept responsibility for the correctness of the material as reproduced: in case of doubt, the IHO’s authentic text shall prevail. The incorporation of material sourced from IHO shall not be construed as constituting an endorsement by IHO of this product.”

“This [document/publication] is a translation of IHO [document/publication] [name]. The IHO has not checked this translation and therefore takes no responsibility for its accuracy. In case of doubt the source version of [name] in [language] should be consulted.”

The IHO Logo or other identifiers shall not be used in any derived product without prior written permission from the IHO.

Contents

2.	Overview.....	61
2.1.	Introduction.....	61
2.2.	References.....	61
2.3.	Terms, definitions and abbreviations.....	62
2.3.1.	Use of language.....	62
2.3.2.	Terms and definitions.....	62
2.3.3.	Abbreviated terms.....	64
2.4.	General S-102 data product description.....	65
2.5.	Product Specification metadata.....	66
2.6.	IHO Product Specification Maintenance.....	66
2.6.1.	Introduction.....	66
2.6.2.	New Edition.....	66
2.6.3.	Revisions.....	67
2.6.4.	Clarification.....	67
2.6.5.	Version Numbers.....	67
3.	Specification Scope.....	1
4.	Data Product Identification.....	1
5.	Data Content and Structure.....	2
5.1.	Introduction.....	2
5.2.	Application Schema.....	2
5.2.1.	Application Schema implementation classes.....	4
5.3.	Feature Catalogue.....	8
5.3.1.	Introduction.....	8
5.3.2.	Feature types.....	8
5.3.3.	Feature relationship.....	8
5.3.4.	Attributes.....	8
5.4.	Dataset types.....	8
5.4.1.	Introduction.....	8
5.4.2.	Regular grid.....	9
5.5.	Multiple datasets.....	9
5.6.	Dataset rules.....	9
5.7.	Geometry.....	10
6.	Coordinate Reference Systems (CRS).....	10
6.1.	Introduction.....	10
6.2.	Horizontal Coordinate Reference System.....	10
6.3.	Vertical Coordinate Reference System.....	11
6.4.	Temporal reference system.....	11
7.	Data Quality.....	11
7.1.	Completeness.....	11
7.1.1.	Commission.....	11
7.1.2.	Omission.....	11
7.2.	Logical consistency.....	11
7.2.1.	Conceptual consistency.....	11
7.2.2.	Domain consistency.....	11
7.2.3.	Format consistency.....	11
7.3.	Positional accuracy.....	12
7.3.1.	Accuracy of a time measurement.....	12
7.3.2.	Gridded data positional accuracy.....	12
7.3.3.	Relative internal positional accuracy.....	12
7.4.	Temporal accuracy.....	12
7.4.1.	Temporal consistency.....	12
7.4.2.	Temporal validity.....	12
7.5.	Thematic accuracy.....	12
7.5.1.	Thematic classification correctness.....	12
7.5.2.	Non-quantitative attribute accuracy.....	12
7.5.3.	Quantitative attribute accuracy.....	12
8.	Data Capture and Classification.....	13
9.	Data Maintenance.....	13

9.1.	Maintenance and update frequency.....	13
9.2.	Data source.....	13
9.3.	Production process.....	13
10.	Portrayal.....	13
10.1.	Introduction.....	13
10.2.	Generation and display of gridded bathymetry.....	13
10.2.1.	Charted soundings/contours vs. gridded bathymetry.....	14
10.2.2.	Use of sun-illumination.....	14
10.2.3.	Transparency.....	15
10.3.	Generation and display of navigation zones.....	15
11.	Data Product Format (Encoding).....	16
11.1.	Introduction.....	16
11.2.	Product structure.....	17
11.2.1.	Feature Codes (Group_F).....	20
11.2.2.	BathymetryCoverage Table (in Group_F).....	20
11.2.3.	Root BathymetryCoverage.....	21
11.2.4.	Feature Instance group — BathymetryCoverage.01.....	22
11.2.5.	The values group — Group_001.....	23
11.2.6.	The Dataset — values.....	24
11.2.7.	Mandatory Naming Conventions.....	24
12.	Data Product Delivery.....	24
12.1.	Introduction.....	24
12.2.	Dataset.....	25
12.2.1.	Dataset management.....	25
12.2.2.	Dataset size.....	25
12.2.3.	Dataset file naming.....	26
12.3.	Exchange Catalogue.....	27
12.4.	Data integrity and encryption.....	27
12.4.1.	Use of compression.....	27
12.4.2.	Use of data protection.....	27
12.4.3.	Use of digital signatures.....	27
13.	Metadata.....	28
13.1.	Introduction.....	28
13.2.	Discovery metadata.....	30
13.3.	Structure metadata.....	33
13.3.1.	Quality metadata.....	36
13.3.2.	Acquisition metadata.....	39
13.4.	Exchange Set metadata.....	39
13.5.	Language.....	42
13.6.	S102_ExchangeCatalogue.....	43
13.6.1.	S100_CatalogueIdentifier.....	44
13.6.2.	S100_CataloguePointofContact.....	45
13.7.	S102_DatasetDiscoveryMetadata.....	45
13.7.1.	S100_DataCoverage.....	50
13.7.2.	S100_DigitalSignature.....	51
13.7.3.	S100_DigitalSignatureValue.....	52
13.7.4.	S100_VerticalAndSoundingDatum.....	52
13.7.5.	S100_DataFormat.....	54
13.7.6.	S100_ProductSpecification.....	54
13.7.7.	S100_ProtectionScheme.....	55
13.7.8.	S102_GridMethod.....	55
13.8.	S102_CatalogueMetadata.....	58
13.8.1.	S100_CatalogueScope.....	59
13.8.2.	PT_Locale.....	59
	Annex A Data Classification and Encoding Guide.....	68
A.1.	Features.....	68
A.1.1.	BathymetryCoverage.....	68
A.2.	Feature Attributes.....	68
A.2.1.	BathymetryCoverage.....	68
	Annex B Normative Implementation Guidance.....	69

Annex C S-102 Dataset Size and Production.....	72
C.1. Header Record.....	72
C.2. Data Records/Nodes.....	72
C.3. File Estimates.....	72
Annex D S-102 Gridding Methods.....	74
Annex E Multi-Resolution Gridding.....	75
Annex F Gridding Full Resolution Source Bathymetry and its Relationship to a Charted Sounding.....	76
F.1. Modern High-Resolution Hydrographic Multibeam Sonars.....	76
F.1.1. Example collection scenario.....	76
F.2. Survey Metrics.....	76
F.2.1. Ping rate and number of depth estimates.....	76
F.2.2. Sonar footprint.....	76
F.2.3. Sonar coverage.....	77
F.3. Post Survey Process.....	77
F.3.1. High-density processing grid.....	77
F.3.2. Generation of a production grid.....	78
Appendix 1 Feature Catalogue.....	70
Appendix 2 Portrayal Catalogue.....	71

Document History

Changes to this Specification are coordinated by the IHO S-100 Working Group. New editions will be made available via the IHO web site. Maintenance of the Specification shall conform to IHO Resolution 2/2007 (as amended).

Version Number	Date	Approved By	Purpose
1.0.0	April 2012	TSMAD	Approved edition of S-102
2.0.0	March 2017	S-102PT	Updated clause 4.0 and 12.0. Populated clause 9.0 and Annex B.
2.0.0	May 2017	S-102PT	Modified clause 9.0 based on feedback at S-100WG2 meeting.
2.0.0	February 2018	S-102PT	Modified Clause 9.0. Deleted contents of Annex B in preparation for updated S-100 Part 10C guidance. Added Annex F: S-102 Dataset Size and Production, Annex G: Gridding Example, Annex H: Statement added for Multi-Resolution Gridding, Annex I: Statement for future S-102 Tiling.
2.0.0	June 2018	S-102PT	Modifications to align with S-100 v4.0.0, S-100 Part 10c development, and actions from 4 th April S-102 Project Team Meeting. Modified content throughout the following sections: <ul style="list-style-type: none"> • Clause 1, 3, 4, 5, 6, 9, 10, 11, and 12. • Annexes A, B, D, F, G, and I.
2.0.0	October/November 2018	S-102PT	Entered Redline comments from HSSC Letter 02/2018 Modified content includes: <ul style="list-style-type: none"> • Clause 1, 3, 4, 5, 6, 9, 10, 11, and 12. • Annexes A, B, D, F, G, and I.
2.0.0	January/February 2019	S-102PT	Adjudicated HSSC and S102PT Comments at 5 th S-102 Project Team Meeting.

Version Number	Date	Approved By	Purpose
			<p>Modified content includes:</p> <ul style="list-style-type: none"> • Clause 1, 3, 4, 5, 6, 9, 10, 11, and 12. • Annexes A, B, D, F, G, and I.
2.0.0	September/October 2019	S-102PT	<p>Adjudicated HSSC and S102PT comments since last release</p> <p>Modified content includes:</p> <ul style="list-style-type: none"> • Annex A, B. • Clause 4, 10, 12.
2.1.0	November 2020	S-102PT	<p>Redline first draft of 2.1 including: S-102PT6-07.1_ CHS-Paper to limit the mandate of the S-102 standard for navigation only—remove track changes and tiling options. S-102PT6_2020_05.c_ Data Product Format_ Prepared by CARIS- v3.pdf—adjusted with comments from 7Cs and BSH. Removed Annex B sample HDF encoding dump as it was inconsistent.</p>
2.1.0	March 2021	S-102PT	<p>Redline final draft of 2.1 including: S-102PT7 agreed in principle to limit the scope of S-102 v 2.1 to Navigation Only. Several sections adjusted in view of this decision. S-102PT7 revised storage locations for minimum/maximum depth and associated uncertainty. S-102PT7 agreed for metadata to be stored in a separate ISO-formatted file. Revised several internal references.</p>
2.1.0	May 2022	S-102PT	<p>Edited filename for exchange catalogue to be CATALOG.XML in 11.3 and in Table 12-7.</p>

Page intentionally left blank

3. Specification Scope

This product specification defines only one general scope which applies to all its sections.

Scope Identification

GeneralScope

4. Data Product Identification

Title

Bathymetric Surface

Abstract

The Bathymetric Surface Product consists of a set of values organized to form a regular grid coverage, with associated metadata, for an area of the sea, river, lake or other body of water. Final grid coverage includes a depth value and associated uncertainty estimate for each location in the matrix.

Topic Category

Main topics for the product, as according to [ISO 19115-1:2014/Amd 1:2018](#) MD_TopicCategoryCode:

006 — elevation

014 — oceans

012 — inlandWaters

Geographic Description

Areas specific to marine navigation.

Spatial Resolution

The spatial resolution, or the spatial dimension on the earth covered by the size of a grid matrix cell (nominal ground sample distance), varies according to the model adopted by (the producer hydrographic office).

Purpose

The primary purpose of the bathymetric surface product is to provide high resolution bathymetry in gridded form in support of safety of navigation. The secondary purpose is to provide high resolution bathymetry for other maritime applications.

Language

English (Mandatory), other (Optional)

Classification

Data can be classified as one of the following:

- 1) Unclassified;
- 2) Restricted;
- 3) Confidential;
- 4) Secret;
- 5) Top Secret;
- 6) Sensitive but unclassified;
- 7) For official use only;
- 8) Protected; or
- 9) Limited distribution.

Spatial Representation Type

Type of spatial representation for the product, as defined by the [ISO 19115:2003](#) MD_SpatialRepresentationTypeCode: 002 — grid.

Point of Contact

Producing Agency

5. Data Content and Structure

5.1. Introduction

The Bathymetric Surface Product incorporates aspects of the Navigation Surface concept where in addition to estimation of depth, an optional estimate of the uncertainty associated with the depth can be computed and preserved. [Figure 1](#) below shows a high-level overview of the structure of S-102. It shows that the Bathymetric Surface Product consists of a set of data comprising the HDF5 datasets plus a Digital Certification Block. The Digital Certification Block is mandatory when the data product is produced for navigational purposes so that the user can trace whether the data has been certified. The HDF5 file consists of metadata (spatial, feature and discovery) and collocated coverages consisting of depth and uncertainty values. S-102 uses the S-100 Data Protection Scheme to ensure certification and authentication.

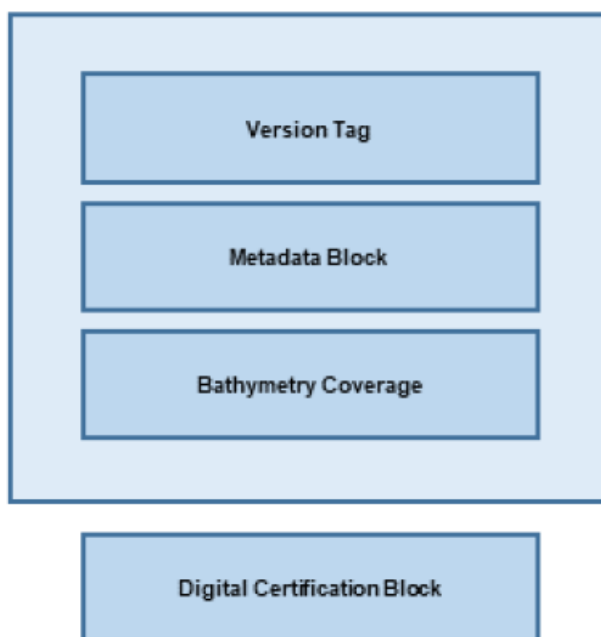


Figure 1 — Overview Structure of S-102

Thus, the Bathymetric Surface Product is a hybrid of coverage(s), as defined in [S-100, Part 8](#), and Information Types as defined in [S-100, Part 4](#), together with a point set tracking list. This is described in [Section 5.2](#).

5.2. Application Schema

The Application Schema Data Set Structure is shown in [Figure 2](#) and [Figure 3](#). They show a number of classes specialized for use in S-102 and two sets of implementation classes. An actual data set of S-102 bathymetry data only contains the implementation classes. All of the required attributes from the other classes in the application schema are satisfied by statements within the Product Specification. This approach to producing the Application Schema results in a very simple structure for implementation.

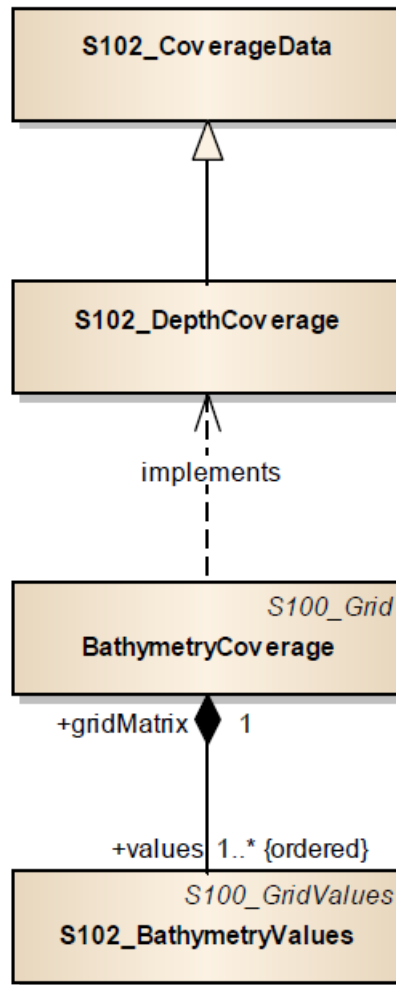


Figure 3 — Coverage Structure of S-102

The model in [Figure 3](#) depicts the coverage type in this application schema:

- The coverage type is a discrete Regular Grid Coverage called **S102_DepthCoverage** which inherits from (**S100_GridCoverage**). Many of the parameters of the coverage are described in the product specification.

5.2.1. Application Schema implementation classes

The implementation classes for the template application schema are shown in [Figure 4](#). The attributes are shown for the coverage related classes together with the attribute classes.

In order to simplify the implementation, a number of defaults are assumed for S-102. These defaults simplify implementation and help simplify interaction with the Navigation Surface implementation from the Open Navigation Surface Working Group and other bathymetric gridded types. In the following sub clauses, the default values are emphasized so that they do not need to be encoded when generating an encoding of the implementation classes. However, if specified they must assume the stated values unless other options are stated.

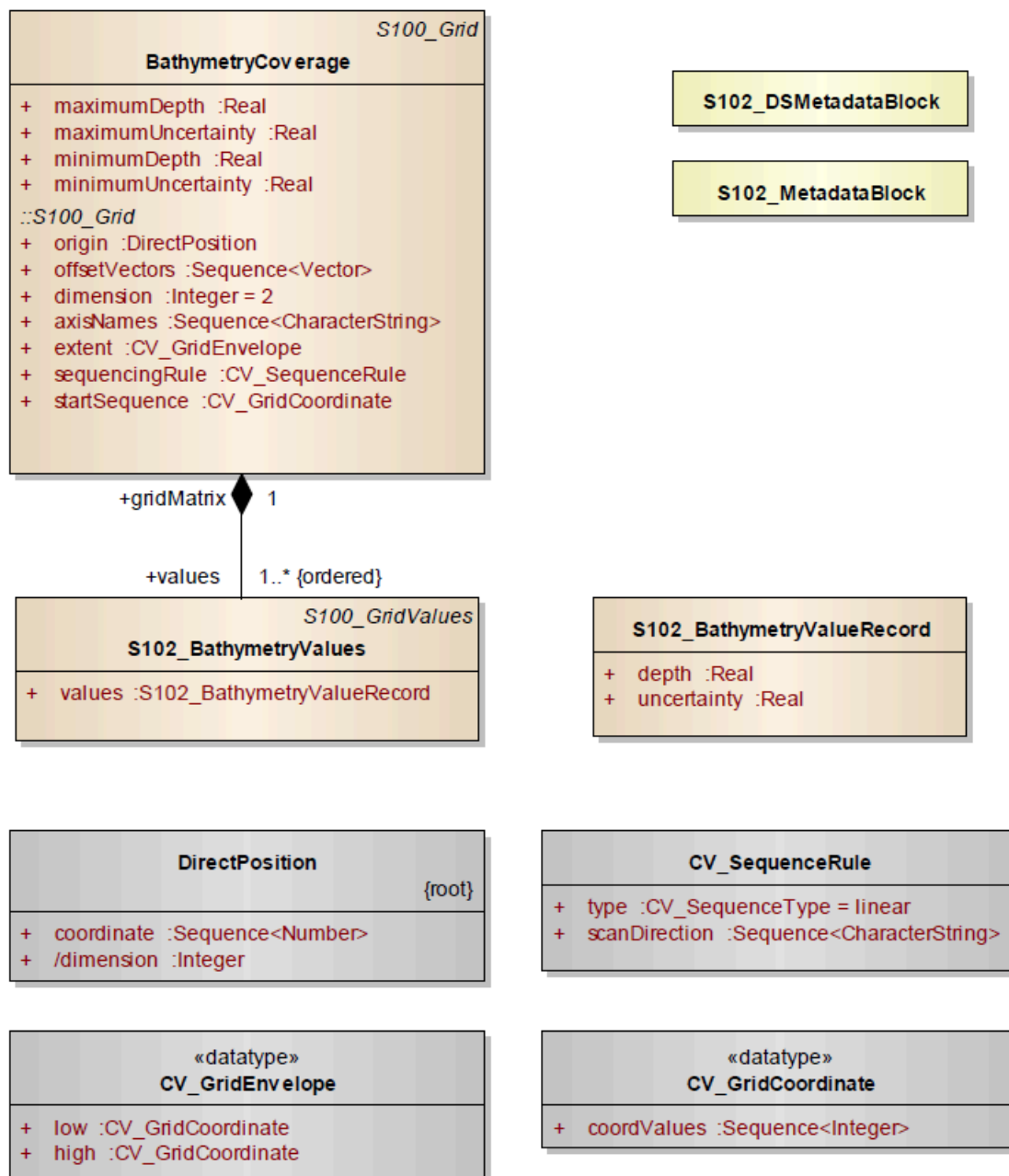


Figure 4 — Implementation of Classes of S-102

5.2.1.1. Implementation classes description

5.2.1.1.1. BathymetryCoverage

5.2.1.1.1.1. BathymetryCoverage semantics

The class **BathymetryCoverage** has the attributes *minimumDepth*, *maximumDepth*, *minimumUncertainty*, and *maximumUncertainty* which bound the depth attribute and the uncertainty attribute from the **S102_BathymetryValues** record. **BathymetryCoverage** additionally contains the inherited attributes *origin*, *offsetVectors*, *dimension*, *axisName*, *extent*, *sequenceRule*, and *startSequence* from **S100_Grid** and **CV_Grid**.

The origin is a position in a specified coordinate reference system, and a set of offset vectors specify the direction and distance between the grid lines. It also contains the additional geometric characteristics of a rectified grid.

5.2.1.1.1.2. **minimumDepth**

The attribute *minimumDepth* has the value type *Real* and describes the lower bound of the depth estimate for all the *depth* values in **S102_BathymetryValues** record. This attribute is required. There is no default.

5.2.1.1.1.3. **maximumDepth**

The attribute *maximumDepth* has the value type *Real* and describes the upper bound of the depth estimate for all the *depth* values in **S102_BathymetryValues** record. This attribute is required. There is no default.

5.2.1.1.1.4. **minimumUncertainty**

The attribute *minimumUncertainty* has the value type *Real* and describes the lower bound of the uncertainty of the depth estimate for all the *depth* values in **S102_BathymetryValues** record. If all uncertainty values are populated with the fill value (i.e., if no actual uncertainties exist in the data), this attribute shall be populated with the fill value. This attribute is required. There is no default.

5.2.1.1.1.5. **maximumUncertainty**

The attribute *maximumUncertainty* has the value type *Real* and describes the upper bound of the uncertainty of the depth estimate for all the *depth* values in **S102_BathymetryValues** record. If all uncertainty values are populated with the fill value (i.e., if no actual uncertainties exist in the data), this attribute shall be populated with the fill value. This attribute is required. There is no default.

5.2.1.1.1.6. **origin**

The attribute *origin* has the value class *DirectPosition* which is a position that shall locate the origin of the rectified grid in the coordinate reference system. This attribute is required. There is no default. In the encoding this is split into properties *gridOriginLatitude* and *gridOriginLongitude*.

5.2.1.1.1.7. **offsetVectors**

The attribute *offsetVectors* has the value class *Sequence<Vector>* that shall be a sequence of offset vector elements that determine the grid spacing in each direction. The data type *Vector* is specified in [ISO/TS 19103:2015](#). This attribute is required. There is no default. The HDF5 encoding implements and simplifies *offsetVectors* in the form of two HDF5 attributes: *gridSpacingLatitudinal* and *gridSpacingLongitudinal*.

5.2.1.1.1.8. **dimension**

The attribute *dimension* has the value class *Integer* that shall identify the dimensionality of the grid. The value of the grid dimension in this product specification is 2. This value is fixed in this Product Specification and does not need to be encoded.

5.2.1.1.1.9. **axisNames**

The attribute *axisNames* has the value class *Sequence<CharacterString>* that shall be used to assign names to the grid axis. The grid axis names shall conform to those of the CRS. For the allowable CRS according to this specification, the axis names shall be “Latitude” and “Longitude” for unprojected data sets or “Northing” and “Easting” in a projected space.

5.2.1.1.1.10. **extent**

The attribute *extent* has the value class **CV_GridEnvelope** that shall contain the extent of the spatial domain of the coverage. It uses the value class **CV_GridEnvelope** which provides the grid coordinate values for the diametrically opposed corners of the grid. The default is that this value is derived from the bounding box for the data set or tile in a multi tile data set. In the encoding the property *BoundingBox* is used to hold the extent.

5.2.1.1.1.11. **sequencingRule**

The attribute *sequencingRule* has the value class **CV_SequenceRule** that shall describe how the grid points are ordered for association to the elements of the sequence values. The default value is “Linear”. No other options are allowed.

5.2.1.1.1.12. **startSequence**

The attribute *startSequence* has the value class **CV_GridCoordinate** that shall identify the grid point to be associated with the first record in the values sequence. The default value is the lower left corner of the grid. No other options are allowed.

5.2.1.1.2. **S102_BathymetryValues**

5.2.1.1.2.1. **S102_BathymetryValues semantics**

The class **S102_BathymetryValues** is related to **BathymetryCoverage** by a composition relationship in which an ordered sequence of *depth* values provide data values for each grid cell. The class **S102_BathymetryValues** inherits from **S100_Grid**.

5.2.1.1.2.2. **values**

The attribute *values* has the value type **S102_BathymetryValueRecord** which is a sequence of value items that shall assign values to the grid points. There are two attributes in the bathymetry value record, *depth* and *uncertainty* in the **S102_BathymetryValues** class. The definition for the *depth* is defined by the *depthCorrectionType* attribute in the **S102_DataIdentification** class. The definition of the type of data in the values record is defined by the *verticalUncertaintyType* attribute in the **S102_DataIdentification** class.

5.2.1.1.3. **DirectPosition**

5.2.1.1.3.1. **DirectPosition semantics**

The class **DirectPosition** hold the coordinates for a position within some coordinate reference system.

5.2.1.1.3.2. **coordinate**

The attribute *coordinate* is a sequence of Numbers that hold the coordinate of this position in the specified reference system.

5.2.1.1.3.3. **dimension**

The attribute *dimension* is a derived attribute that describes the length of coordinate.

5.2.1.1.4. **CV_GridEnvelope**

5.2.1.1.4.1. **CV_GridEnvelope semantics**

The class **CV_GridEnvelope** provides the grid coordinate values for the diametrically opposed corners of an envelope that bounds a grid. It has two attributes.

5.2.1.1.4.2. **low**

The attribute *low* shall be the minimal coordinate values for all grid points within the envelope. For this specification this represents the Southwestern coordinate.

5.2.1.1.4.3. **high**

The attribute *high* shall be the maximal coordinate values for all grid points within the envelope. For this specification this represents the Northeastern coordinate.

5.2.1.1.5. **CV_GridCoordinate**

5.2.1.1.5.1. **CV_GridCoordinate semantics**

The class **CV_GridCoordinate** is a data type for holding the grid coordinates of a **CV_GridPoint**.

5.2.1.1.5.2. **coordValues**

The attribute *coordValues* has the value class *Sequence<Integer>* that shall hold one integer value for each dimension of the grid. The ordering of these coordinate values shall be the same as that of the elements of *axisNames*. The value of a single coordinate shall be the number of offsets from the origin of the grid in the direction of a specific axis.

5.2.1.1.6. CV_SequenceRule

5.2.1.1.6.1. CV_SequenceRule semantics

The class **CV_SequenceRule** contains information for mapping grid coordinates to a position within the sequence of records of feature attribute values. It has two attributes.

5.2.1.1.6.2. type

The attribute *type* shall identify the type of sequencing method that shall be used. A code list of scan types is provided in S-100 Part 8. Only the value—linear shall be used in S-102, which describes scanning row by row by column.

5.2.1.1.6.3. scanDirection

The attribute *scanDirection* has the value class *Sequence<CharacterString>* a list of axis names that indicates the order in which grid points shall be mapped to position within the sequence of records of feature attribute values.

5.3. Feature Catalogue

5.3.1. Introduction

The S-102 Feature Catalogue describes the feature types, attributes and attribute values which may be used in the product.

The S-102 Feature Catalogue is available in an XML document which conforms to the S-100 XML Feature Catalogue Schema and can be downloaded from the IHO website.

5.3.2. Feature types

S-102 is a coverage feature product. **BathymetryCoverage** implements **S102_DepthCoverage** and includes **S102_BathymetryValues**.

5.3.2.1. Geographic

Geographic (geo) feature types form the principle content of the dataset and are fully defined by their associated attributes. In S-102, **BathymetryCoverage** has been registered as a geographic feature type.

5.3.2.2. Meta

There are no meta features in the S-102 feature catalogue.

5.3.3. Feature relationship

S-102 does not use any feature relationships.

5.3.4. Attributes

5.3.4.1. Simple attributes

In S-102, *depth* and *uncertainty* have been registered as simple attributes, type `<real>`. Simple attributes are defined in [S-100, Part 5, Clause 5–4.2.3.3](#).

5.3.4.2. Complex attributes

In S-102 there are currently no complex attributes defined.

5.4. Dataset types

5.4.1. Introduction

Bathymetric Surface datasets are represented as a discrete array of points contained in a regular grid. The general structure for a regular grid is defined in [S-100, Part 8](#).

5.4.2. Regular grid

5.4.2.1. S-102 coverages

The **BathymetryCoverage** contains depth and, optionally, uncertainty. The general structure of each is defined in [S-100, Part 8](#) as a georectified grid.

The grid properties of origin and spacing are defined by attributes in the **BathymetryCoverage.01** Feature Container Group. The grid is a two-dimensional matrix organized in row major order and starting from the southwestern most data point. Thus, the first sample of the grid is the node at the southwest corner of the grid with location specified by the georeferencing parameters, the second is one grid resolution unit to the east of that position and at the same northing or latitude, and the third is two grid resolution units to the east and at the same northing or latitude. For C columns in the grid, the $(C + 1)^{\text{th}}$ sample in the grid is located one grid resolution unit to the north but on the same easting or longitude as the first sample in the grid.

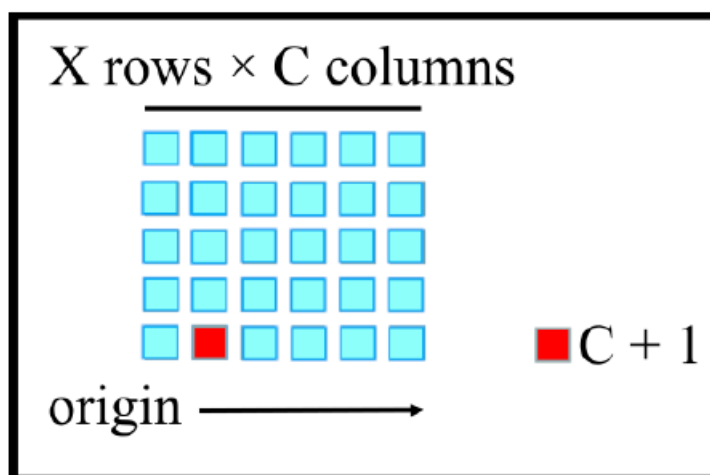


Figure 5 — S-102 Grid Node location

The two values, depth and uncertainty, are stored in the same grid as members of a data compound. The units of the depth values are in metres. The vertical distance is from a given water level to the bottom. Drying heights (drying soundings) are indicated by a negative depth value.

The reference vertical datum for the surface is one of the mandatory Metadata items. The unknown state for depth is defined to be 1,000,000.0 (1.0e6).

The uncertainty values are expressed as positive quantities at a node. As detailed in [Section 13.2](#) the uncertainty grid supports multiple definitions of vertical uncertainty. This allows grids to span the expected range of data products from raw, full resolution grid to final compiled product. For example, a grid at the stage of final survey data processing should contain uncertainty information germane to the survey data itself and intended to be used for information compilation. A recipient of an S-102 file can refer to the uncertainty definition in the Metadata to gain an understanding of how the uncertainty was computed.

The undetermined state for uncertainty is defined to be 1,000,000.0 (1.0e6).

5.4.2.2. Extensions

In S-102 there are currently no extensions defined.

5.5. Multiple datasets

In order to facilitate the efficient processing of S-102 data, the geographic coverage of a given **maximum display Scale** may be split into multiple datasets.

5.6. Dataset rules

Each S-102 dataset must only have a single extent as it is a coverage feature.

There should be no overlapping data of the same maximum display scale, except at the agreed adjoining limits. Where it is difficult to achieve a perfect join, a buffer to be agreed upon by the producing agencies may be used.

5.7. Geometry

S-102 regular gridded coverages are an implementation of S-100 Grid Coverage (Part 8 — Imagery and Gridded Data).

6. Coordinate Reference Systems (CRS)

6.1. Introduction

The geo-referencing for an S-102 Bathymetric Surface product shall be node-based, referenced from the southwestern-most node in a grid. Each sample in a grid represents the value in the grid at a point location at the coordinate specified, rather than an estimate over any area with respect to the coordinate. The reference position included in the metadata shall be given in the coordinates used for the grid and shall contain sufficient digits of precision to locate the grid with accuracy no worse than a decimetre on the surface of the ellipsoid of rotation of the chosen horizontal datum.

The Coordinate Reference System information contained in [Table 1](#) is defined in the manner specified in [S-100, Part 6](#). Note the vertical datum is defined through a second association role to a vertical reference system.

6.2. Horizontal Coordinate Reference System

Table 1 — S-102 Coordinate Reference Systems (EPSG Codes)

EPSG Code	Coordinate Reference System
4326	WGS84
32601 — 32660	WGS 84 / UTM Zone 1N to Zone 60N
32701 — 32760	WGS 84 / UTM Zone 1S to Zone 60S
5041	WGS 84 / UPS North (E,N)
5042	WGS 84 / UPS South (E,N)
The full reference to EPSG can be found at www.epsg-registry.org .	

Horizontal Coordinate Reference System	EPSG (see Table 1)
Projection	NONE/UTM/UPS
Temporal reference system	Gregorian Calendar
Coordinate Reference System registry	EPSG Geodetic Parameter Registry
Date type (according to ISO 19115:2003)	002 — publication
Responsible party	International Organisation of Oil and Gas Producers (OGP)
URL	http://www.ogp.org.uk/

6.3. Vertical Coordinate Reference System

Although in this product there are no direct vertical coordinates the values of the depth attributes are indirect such coordinates. Therefore, it is important to specify the vertical CRS to which these values conform. The vertical CRS is an earth gravity-based, one-axis coordinate system. The axis is oriented positive down.

The vertical datum must be taken from the code-list defined by S100_VericalAndSoundingDatum. It will be defined in the root element as an HDF5 attribute.

6.4. Temporal reference system

The temporal reference system is the Gregorian calendar for date and UTC for time. Time is measured by reference to Calendar dates and Clock time in accordance with [ISO 8601:2004, Clause 5.4.4](#). A date-time variable will have the following 16-character format: *yyyymmddThhmmssZ*.

7. Data Quality

Data quality allows users and user systems to assess fitness for use of the provided data. Data quality measures and the associated evaluation are reported as metadata of a data product. This metadata improves interoperability with other data products and provides usage by user groups that the data product was not originally intended for. The secondary users can make assessments of the data product usefulness in their application based on the reported data quality measures.

7.1. Completeness

7.1.1. Commission

The S-102 bathymetric grid has a high-level of completeness regarding commission, due to the fact that the issuing hydrographic office has deemed the grid to contain all the necessary data and/or considered all contributing factors required to make a navigationally valid product. These factors are recorded in the metadata for the file.

7.1.2. Omission

The S-102 bathymetric grid has a high level of completeness in regards to omission, due to the fact that the issuing hydrographic office will have noted any major discrepancies or negative quality factors in the applicable fields of the metadata for the file.

7.2. Logical consistency

7.2.1. Conceptual consistency

The conceptual consistency of S-102 grids is maintained through this and related specifications which are conceptually consistent with the accepted standards.

7.2.2. Domain consistency

The domain consistency of S-102 grids is maintained through the definition of their primary purpose, which is safety of navigation. The data contained can also be used derivatively for other scientific/ fields domains (secondary purposes). All processes used in primary purpose generation is geared solely towards the satisfaction of safety of navigation concerns.

7.2.3. Format consistency

The formatting consistency of S-102 grids is maintained due to the overriding encoding (HDF5) defined in the S-100 specification and the other IHO standards on which the data is based.

7.3. Positional accuracy

7.3.1. Accuracy of a time measurement

Temporal aspects of bathymetric grids are confined to elements of the vertical control processes. These aspects are addressed during the formulation and application of vertical control processes applied by the various hydrographic offices. Details of these processes will be included in the Lineage portion of the metadata defined in [Chapter 13](#) of this Product Specification.

7.3.2. Gridded data positional accuracy

Gridded positional accuracy is defined by the precision of the positional reference used to specify its location within its spatial projection. These positional references are contained within the spatial metadata of the S-102 grid. Nodes within a bathymetric grid have an absolute position with no horizontal error with vertical values that are calculated for that position by the processes and procedures used by each hydrographic office during the creation of the S-102 grid. Appropriate selection of both the origin reference points and positional resolution are important and are another factor in gridded positional accuracy.

7.3.3. Relative internal positional accuracy

The internal positional accuracy is defined as the precision of the location of each node within the S-102 grid. The position of each node within the grid is referenced by a row and column combination. The metadata for the S-102 defines a gridded resolution along both the X and Y axis of the grid. This absolute position of a node within the spatial projection of the grid is calculated using the row/column and the X/Y resolution. In this case, the accuracy is controlled by the precision used in defining these resolutions.

7.4. Temporal accuracy

7.4.1. Temporal consistency

Temporal aspects of bathymetric grids are confined to elements of the vertical control processes. These aspects are addressed during the formulation and application of vertical control processes applied by the various hydrographic offices. Details of these processes will be included in the Lineage portion of the metadata defined in [Chapter 13](#) of this Product Specification.

7.4.2. Temporal validity

Temporal aspects of bathymetric grids are confined to elements of the vertical control processes. These aspects are addressed during the formulation and application of vertical control processes applied by the various hydrographic offices. Details of these processes will be included in the Lineage portion of the metadata defined in [Chapter 13](#) of this Product Specification.

7.5. Thematic accuracy

7.5.1. Thematic classification correctness

For S-102 bathymetric grids there are two classifications of data values, which are land and water. There are two considerations for accessing classification correctness when using the grid. The first is that values given in the depth layer of the S-102 grid are based on the associated hydrographic offices chosen vertical datum. Should another value in relation to a different vertical datum be required, a series of correctors would need to be applied. Secondly, when considering the data values, the value stored in the corresponding uncertainty node must be considered. This uncertainty value is a +/- value and when assessing the classification correctness must be applied. The new value(s) generated when applied may cause a change in the classification.

7.5.2. Non-quantitative attribute accuracy

Thematic accuracy of S-102 bathymetric data is wholly quantitative.

7.5.3. Quantitative attribute accuracy

As defined in [S-100, Part 4c](#) the data quality for the depth coverage is also defined as a co-located coverage, uncertainty. Uncertainty is defined as the vertical uncertainty at each node location. The uncertainty coverage supports multiple definitions of vertical uncertainty.

See [Table 17](#).

8. Data Capture and Classification

The Data Classification and Encoding Guide (DCEG) describes how data describing the real world should be captured using the types defined in the S-102 Feature Catalogue. This Guide is located at [Annex A](#).

There are a number of sounding techniques, including SONAR and LIDAR that are used to capture bathymetric data. It is permitted, but not required, to include data acquisition information in the metadata of an S-102 Bathymetric Surface product. The metadata class S102_AcquisitionMetadata has been defined, but the information elements to populate this metadata class should be identified in a national profile of S-102.

9. Data Maintenance

9.1. Maintenance and update frequency

Datasets are maintained by replacement on a dataset basis. That is, the entire data product and the associated metadata are replaced as a unit. This is unlike vector data that may be updated incrementally. However, coverage data must be considered as a unit. Also, each replacement data set must have its own digital signature.

9.2. Data source

Data producers must use applicable sources to maintain and update data and provide a brief description of the sources that were used to produce the dataset.

9.3. Production process

Data Producers should follow their established production processes for maintaining and updating datasets.

10. Portrayal

10.1. Introduction

This clause describes the display of bathymetric surface data to support the safe navigation of marine vessels. The following portrayal options are intended to enhance mariner decision making while taking into consideration the need to minimize cluttering of the navigation display. S-102 portrayal options:

- Display of gridded bathymetry
- Colouring options to support safe navigation.

10.2. Generation and display of gridded bathymetry

Most modern hydrographic surveys are conducted using high-resolution multibeam sonar systems. While these systems provide a highly detailed depiction of the seafloor, the storage and processing requirements (that is, data management) can be challenging. A typical hydrographic survey can collect upwards of 10 billion depth estimates over a thirty-day collection period.

Utilization of a gridded data structure eases the data management concerns of the hydrographer, providing the ability to safely decimate the total sum of collected depth estimates into a manageable quantity of representative nodal depths for processing and production. All gridded datasets should be exposed to rigid Quality Assurance/Control procedures to ensure the final gridded dataset accurately represents the real-world environment. Once a dataset passes an established Quality Assurance/Control

process, modern chart production software is used to extract candidate nodal depths from the grid for consideration as final charted soundings.

[Annex D](#) provides a listing of S-102 accepted gridding methods.

[Annex F](#) provides an example gridding process, discussing the difference between full resolution source bathymetry, product scale grid, and charted sounding.

10.2.1. Charted soundings/contours vs. gridded bathymetry

Depth information on a nautical chart is generally displayed as depth soundings, depth contours, and depth areas. Depth contours are used to connect soundings of equal elevation referenced to a specific sounding datum.

The introduction of a fourth depth source, S-102 gridded data, enhances navigation decision making by providing the mariner with the ability to visualize and colour a pseudo three-dimensional, sun-illuminated, contiguous image of the seafloor. While this is a benefit, producers should understand that the selection of an improper grid resolution (that is too coarse, or too fine) may complicate the overall navigation solution when displayed with traditional depth information. [Table 13](#) provides informative grid resolutions for each charting scale to aid in the selection of a final grid resolution. It should be noted that [Table 13](#) does not contain mandatory resolutions. Final identification of the “appropriate” resolution is left to the data producer.

10.2.2. Use of sun-illumination

S-102 data can be visualized as a sun-illuminated or static (flat) dataset. The depiction of sun-illumination requires the entry of a sun azimuth and corresponding elevation. [Figure 6](#) shows the difference between a sun-illuminated and static (flat) surface.

Informative values for sun azimuth angle and elevation have been provided in [Table 2](#).

Table 2 — Sun Azimuth and Elevation Values

Attribute	Value in Degrees	
	Sun-Illuminated	Flat Surface
Sun Azimuth Angle	315 Degrees	0.0 Degrees
Sun Elevation	45 Degrees	0.0 Degrees

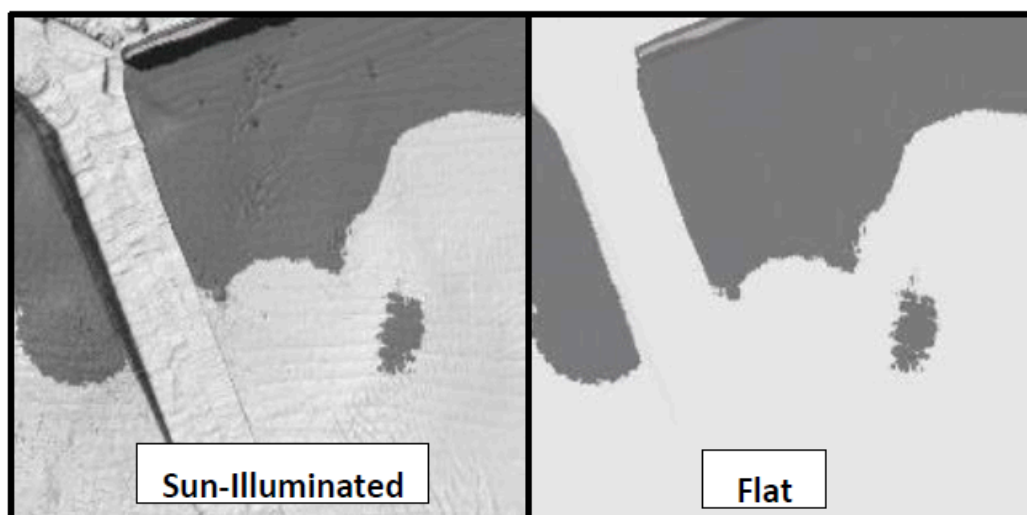


Figure 6 — Sun-illuminated and Static (Flat) Shading

10.2.3. Transparency

S-102 dataset transparency display settings are identified in [Table 3](#). The level of opaqueness is represented by the value alpha. A value of 1 represents zero transparency. A value of 0 represents 100% transparency.

Table 3 — Transparency values for S-102 Dataset

ENC Display Setting	Alpha
ENC Day	1.0
ENC Dusk	0.4
ENC Night	0.2

10.3. Generation and display of navigation zones

The addition of S-102 dataset enhances the mariner's ability to render and display, using colours, higher resolution depth zoning directly from the grid.

At time of ingest a display system will delineate and display navigational depth zones by comparing the depth layer of the S-102 dataset to the mariner defined vessel draft or default safety contour. Depth zone naming and colouring ([Table 4](#) — [Table 6](#), and [Figure 7](#)) may follow IHO S-52, Edition 6.1(.1).

NOTE: colour parameters listed in [Table 4](#), [Table 5](#) and [Table 6](#) are specified in CIE x, y, L co-ordinates.

Table 4 — Depth Zone and Colour Token Information for Day

Depth Zone Name	Description	Colour	X	Y	L
Deep Water (DEPDW):	Deeper than the deep contour	White	.28	.31	80
Medium-deep water (DEPMD):	Depths between the deep contour and the safety contour	Blue	.26	.29	65
Medium-shallow (DEPMS):	Depths between the safety contour and the shallow contour	Blue	.23	.25	55
Very Shallow Water (DEPVS):	Depths between the shallow contour and the zero metre contour	Blue	.21	.22	45
Drying Foreshore (DEPIT):	Intertidal area	YellowGreen	.26	.36	35

Table 5 — Depth Zone and Colour Token Information for Dusk

Depth Zone Name	Description	Colour	X	Y	L
Deep Water (DEPDW):	Deeper than the safety contour	White	.28	.31	00

Depth Zone Name	Description	Colour	X	Y	L
Shallow Water (DEPVS):	Shallower than the safety contour	Blue	.21	.22	5.0
Intertidal (DEPIT):	Area exposed at low water	YellowGreen	.26	.36	6.0

Table 6 — Depth Zone and Colour Token Information for Night

Depth Zone Name	Description	Colour	X	Y	L
Deep Water (DEPDW):	Deeper than the safety contour	White	.28	.31	00
Shallow Water (DEPVS):	Shallower than the safety contour	Blue	.21	.22	0.8
Intertidal (DEPIT):	Area exposed at low water	YellowGreen	.26	.36	1.2

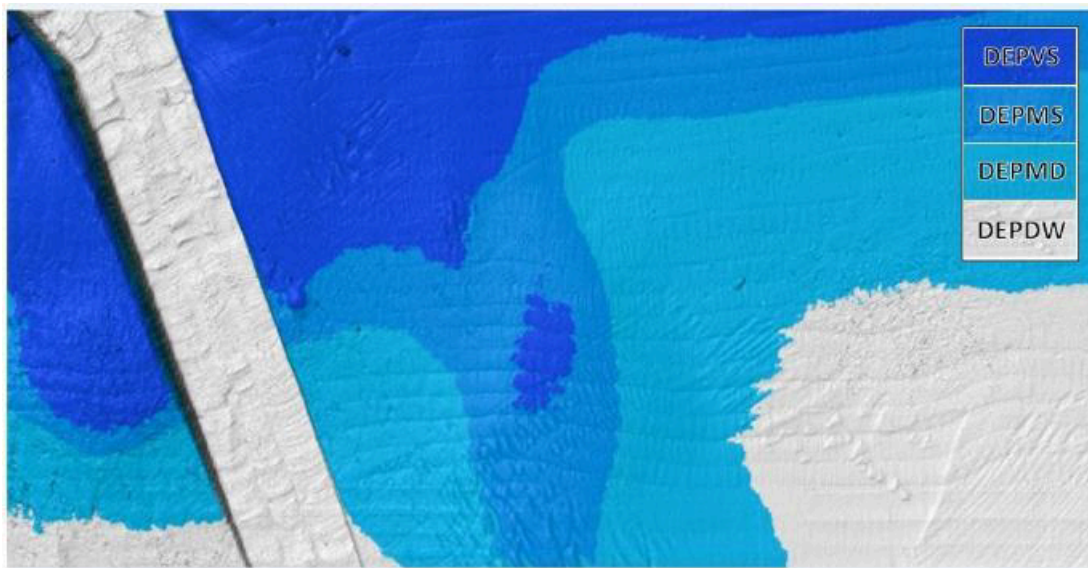


Figure 7 — S-52, Edition 6.1(.1) Depth Zone Colouring for Day

11. Data Product Format (Encoding)

11.1. Introduction

The S-102 data set must be encoded using the Hierarchical Data Format standard, Version 5 (HDF5).

Format Name	HDF5
Version	1.8
Character Set	UTF-8
Specification	https://www.hdfgroup.org/

The key idea behind the S-102 product structure is that each coverage is a feature. Each of these features is co-located with the others. Therefore, they share the same spatial metadata and each is required to correctly interpret the others.

For the use of HDF5, the following key concepts ([S-100, Part 10c, Clause 10c–5.1](#)) are important:

<i>File</i>	a contiguous string of bytes in a computer store (memory, disk, etc.), and the bytes represent zero or more objects of the model;
<i>Group</i>	a collection of objects (including groups);
<i>Dataset</i>	a multidimensional array of data elements with attributes and other metadata;
<i>Dataspace</i>	a description of the dimensions of a multidimensional array;
<i>Datatype</i>	a description of a specific class of data element including its storage layout as a pattern of bits;
<i>Attribute</i>	a named data value associated with a group, dataset, or named datatype;
<i>Property List</i>	a collection of parameters (some permanent and some transient).

In addition, datasets may be a compound (a single record consisting of an array of simple value types) and have multiple dimensions.

11.2. Product structure

The structure of the data product follows the form given in [S-100, Part 10C](#)—HDF5 Data Model and File Format. The general structure, which was designed for several S-100 products is given in [Figure 8](#).

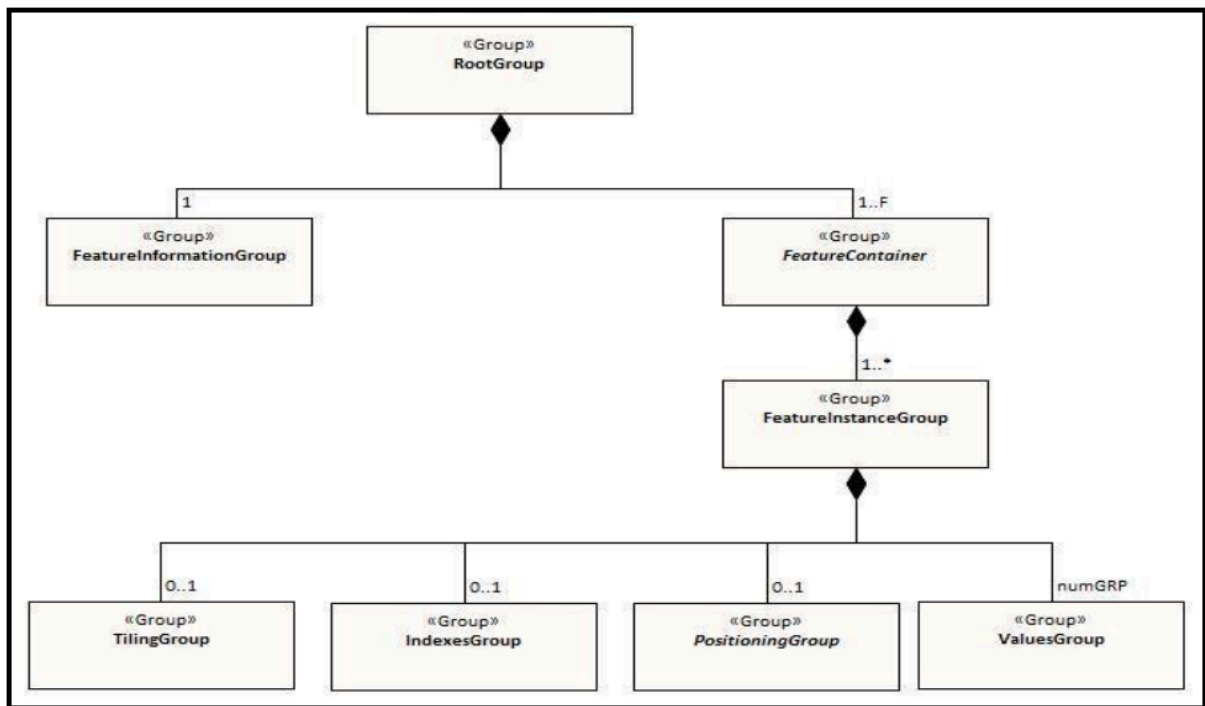


Figure 8 — Outline of the generic data file structure

[Figure 8](#) shows the four levels defined within the HDF encoding as defined in [S-100, Part 10c](#). Below is a further definition of these levels.

Level 1	At the top level lies the Root Group, and it contains the Root Metadata and two subsidiary groups. The Root Metadata applies to all S-100 type products.
Level 2	The next Level contains the Feature Information Group and the Feature Container Group. The Feature Information Group contains the feature BathymetryCoverage and the feature attribute codes. The Feature Container Group contains the Feature Metadata and one or more Feature Instance Groups.
Level 3	This contains a Feature Instance group. A feature instance is a bathymetric gridded data for a single region.
Level 4	This contains the actual data for each feature. In S-102 the BathymetryCoverage uses the ValuesGroup to define the content the other groups at this level are not used.

In [Table 7](#) below, levels refer to HDF5 structuring (see [S-100, Part 10c, Figure 10c-9](#)). Naming in each box below the header line is as follows: Generic name; S-100 or S-102 name, or [] if none; and (*HDF5 type*) group, attribute or attribute list, or dataset.

Table 7 — Overview of S-102 Data Product

LEVEL 1 CONTENT	LEVEL 2 CONTENT	LEVEL 3 CONTENT	LEVEL 4 CONTENT
General Metadata (metadata) (<i>h5_attribute</i>)			
Feature Codes Group_F (<i>h5_group</i>)	Feature Name BathymetryCoverage (<i>h5_dataset</i>)		
	Feature Codes featureCode (<i>h5_dataset</i>)		
Feature Type BathymetryCoverage (<i>h5_group</i>)	Type Metadata (metadata) (<i>h5_attribute</i>)		
	Feature Instance BathymetryCoverage.01 (<i>h5_group</i>)	Instance Metadata (metadata) (<i>h5_attribute</i>)	
		First data group Group_001 (<i>h5_group</i>)	Group Metadata (metadata) (<i>h5_attribute</i>)
	X and Y Axis Names axisNames (<i>h5_dataset</i>)		Bathymetric Data Array values (<i>h5_dataset</i>)

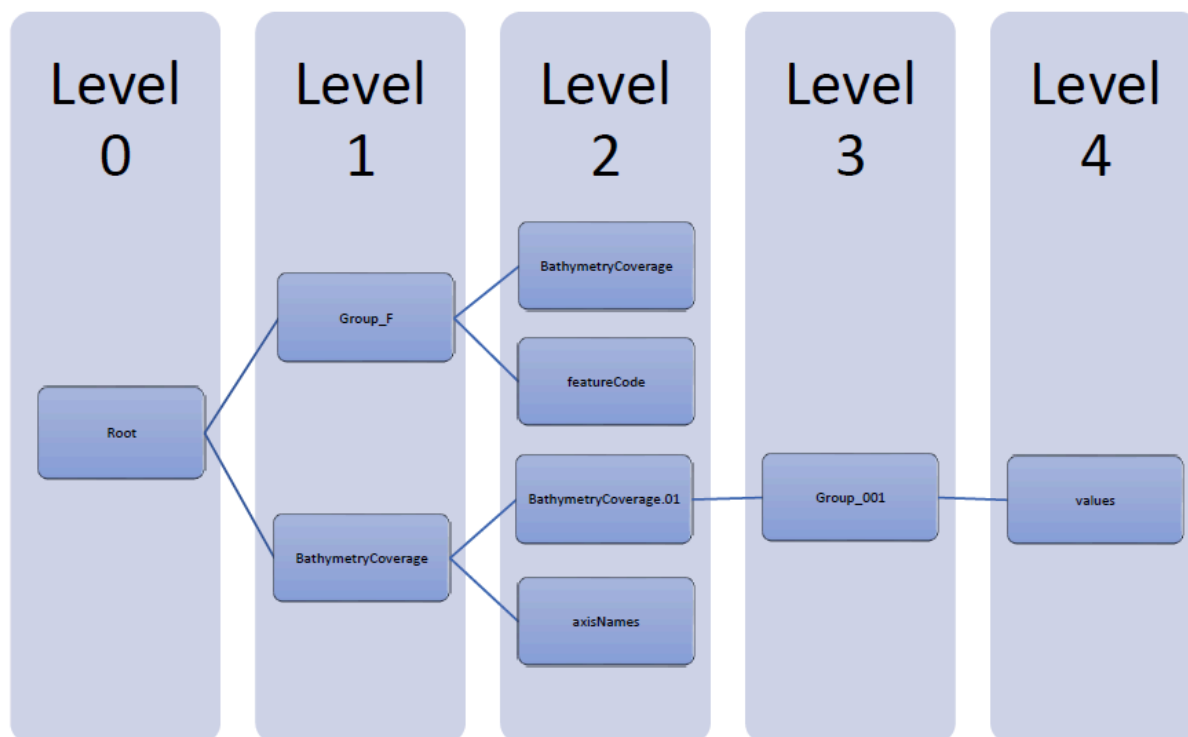


Figure 9 — Hierarchy of S-102 Data Product

Table 8 — Root group attributes

No	Name	Camel Case	Mult	Data Type	Remarks
1	Product specification number and version	productSpecification	1	String	S-100, Table 10c-6 Example: INT. IHO.S-102.2.1
2	Time of data product issue	issueTime	0..1	String (Time Format)	
3	Issue date	issueDate	1	String (Time Format)	
4	Horizontal datum	horizontalDatumReference1		String	Value: EPSG
5	Horizontal datum number	horizontalDatumValue	1	Integer	The identifier (EPSG code) of the horizontal CRS as defined in Section 6.2 (see Section 11.2, Note 1)
6	Epoch of realization	epoch	0..1	String	
7a	Bounding box	westBoundLongitude	1	Float	The values are in decimal degrees. If a projected CRS is used for the dataset, these values refer to those of the baseCRS
7b		eastBoundLongitude	1	Float	
7c		southBoundLatitude	1	Float	
7d		northBoundLatitude	1	Float	

No	Name	Camel Case	Mult	Data Type	Remarks
					underlying the projected CRS (see Section 11.2, Note 2)
9	Metadata	metadata	1	String	Name of metadata file MD_<HDF5 data file base name>.XML (or .xml) ISO metadata (per S-100, Part 10c-12)
10	Vertical datum reference	verticalDatum	1	Enumeration	

NOTE 1: The value horizontalDatumValue specifies the horizontal Coordinate Reference System. At the time of writing, S-100 does not yet provide a mechanism for this value's definition within HDF5 encoding. Consequently, this configuration causes a deviation from S-100. The horizontal datum is implicitly defined by this CRS because each horizontal CRS consists of a coordinate system and a datum.

NOTE 2: The baseCRS is the geodetic CRS on which the projected CRS is based. In particular, the datum of the base CRS is also used for the derived CRS (see [S-100, Table 6-6](#)).

The following sections explain entries in [Table 7](#) in greater detail.

11.2.1. Feature Codes (Group_F)

No attributes.

This group specifies the S-100 features to which the data applies, and consists of two components:

featureCode — a dataset with the featureCode(s) of the S-100 feature(s) contained in the data product. For S-102, the dataset has only **BathymetryCoverage**.

BathymetryCoverage — Described in the featureCode table. This feature contains the standard definition of the feature class.

11.2.2. BathymetryCoverage Table (in Group_F)

BathymetryCoverage is an array of compound type elements, whose components are the 8 components specified in [Table 9](#).

Table 9 — Sample contents of the two-dimensional BathymetryCoverage array

Name	Explanation	S-100 Attribute 1	S-100 Attribute 2
code	Camel Case code of attribute as in Feature Catalogue	depth	uncertainty
name	Long name as in Feature Catalogue	depth	uncertainty
uom.name	Units (uom.name from S-100 Feature Catalogue)	metres	metres
fillValue	Fill value (integer or float, string representation, for missing values)	1000000	1000000
datatype	HDF5 datatype, as returned by H5Tget_class() function	H5T_FLOAT	H5T_FLOAT

Name	Explanation	S-100 Attribute 1	S-100 Attribute 2
lower	Lower bound on value of attribute	-12000	0
upper	Upper bound on value of attribute	12000	12000
closure	Open or Closed data interval. See S100_IntervalType in Part 1.	closedInterval	gtLeInterval

As per section [S-100, Part 10c, Clause 10c-9.5](#), “All the numeric values in the feature description dataset are string representations of numeric values; for example, “-9999.0” not the float value -9999.0.”

While the sample contents are shown in the two attributes columns, these are actually rows in the BathymetryCoverage table. They are also each a single HDF5 compound type and represent a single HDF5 element in the table.

All cells shall be HDF5 variable length strings. The minimum and maximum values are stored in lower and upper columns. Variable length strings allow future proofing the format in the event editing is allowed or correcting these values is required.

11.2.3. Root BathymetryCoverage

Table 10 — Attributes of BathymetryCoverage feature container group

No	Name	Camel Case	Mult	Data Type	Remarks
1	Data organization index	dataCodingFormat	1	Enumeration	Value: 2
2	Dimension	dimension	1	Integer	Value: 2
3	Common point rule	commonPointRule	1	Enumeration	Value: 1 (average) or other values from S-100, Table 10c-19 .
4	Horizontal position uncertainty	horizontalPositionUncertainty		Float	Value: -1.0 (if unknown or not available)
5	Vertical position uncertainty	verticalUncertainty	1	Float	Value: -1.0 (if unknown or not available)
6	Number of feature instances	numInstances	1	Integer	Value: 1
7a	Sequencing rule	sequencingRule.type	1	Enumeration	Value: 1 (linear)
7b		sequencingRule.scanDirection	1	String	Value: <axisNames entry> (comma-separated). For example, “latitude, longitude”. Reverse scan direction along an axis is

					indicated by prefixing a '-' sign to the axis name. See Section 5.2.1.1.6.3
8	Interpolation type	interpolationType	1	Enumeration	Code value from S-100, Table 10c-21

11.2.4. Feature Instance group — BathymetryCoverage.01

As per [S-100, Part 10c, Clause 10c-9.7](#) and [S-100, Table 10c-12](#) Attributes of feature instance groups

Table 11 — Attributes of BathymetryCoverage feature instance group

No	Name	Camel Case	Mult	Data Type	Remarks
1a	Bounding box	westBoundLongitude	1	Float	Coordinates should refer to the previously defined Coordinate Reference System.
1b		eastBoundLongitude	1	Float	
1c		southBoundLatitude	1	Float	
1d		northBoundLatitude	1	Float	
2	Number of groups	numGRP	1	Integer	The number of data values groups contained in this instance group. Value: 1
3	Longitude of grid origin	gridOriginLongitude	1	Float	Longitude or easting of grid origin. Unit: (to correspond with previously defined Coordinate Reference System)
4	Latitude of grid origin	gridOriginLatitude	1	Float	Latitude or northing of grid origin. Unit: (to correspond with previously defined Coordinate Reference System)
5	Grid spacing, longitude	gridSpacingLongitudinal	1	Float	Cell size in x dimension.
6	Grid spacing, latitude	gridSpacingLatitudinal	1	Float	Cell size in y dimension.
7	Number of points, longitude	numPointsLongitudinal	1	Integer	Number of points in x dimension.

No	Name	Camel Case	Mult	Data Type	Remarks
8	Number of points, latitude	numPointsLatitudinal	1	Integer	Number of points in y dimension.
9	Start sequence	startSequence	1	String	Grid coordinates of the grid point to which the first in the sequence of values is to be assigned. The choice of a valid point for the start sequence is determined by the sequencing rule. Format: n, n Example: "0,0" (without quotes)

The gridOriginLongitude, gridOriginLatitude, gridSpacingLongitudinal and gridSpacingLatitudinal attributes should be in the same geographic units as the bounding box. Note that this deviates from S100 where it indicates that this should be in Arc Degrees. This has the effect that gridOriginLongitude and gridOriginLatitude are identical to westBoundLongitude and southBoundLatitude.

The gridOriginLongitude and gridOriginLatitude are the cell center of the cell.

numPointsLongitude and numPointsLatitude must contain the number of cells in the x and y dimensions of the values table.

11.2.5. The values group — Group_001

This group contains the following attributes. These attributes are not defined by [S-100, Part 10c](#). They are an extension of this Product Specification.

Table 12 — Attributes of values group

No	Name	Camel Case	Mult	Data Type	Remarks
1	minimum Depth	minimumDepth	1	Float	The minimum depth value in the values dataset(s) of this group
2	maximum Depth	maximumDepth	1	Float	The maximum depth value in the values dataset(s) of this group
3	minimum Uncertainty	minimumUncertainty	1	Float	The minimum uncertainty value in the values dataset(s) of this group. If no uncertainty values are in the dataset(s)

No	Name	Camel Case	Mult	Data Type	Remarks
					the value must be the fillValue
4	maximum Uncertainty	maximumUncertainty	1	Float	The maximum uncertainty value in the values dataset(s) of this group. If no uncertainty values are in the dataset(s) the value must be the fillValue

The group contains an HDF5 dataset named values containing the bathymetric gridded data.

11.2.6. The Dataset — values

This dataset contains the compound data arrays containing bathymetric gridded data. These components are explained below.

For bathymetric gridded data, the dataset includes a two-dimensional array containing both the depth and uncertainty data. These dimensions are defined by *numPointsLongitudinal* and *numPointsLatitudinal*. By knowing the grid origin and the grid spacing, the position of every point in the grid can be simply computed. If uncertainty data is not used, it must be filled with the fillValue specified in the Group_F feature information dataset.

The depth and uncertainty values (depth and uncertainty) are stored in two-dimensional arrays with a prescribed number of columns (numCOL) and rows (numROW). This grid is defined as a regular grid (dataCodingFormat = 2); therefore, the depth and uncertainty values will be for each discrete point in the grid. The data type of the array values is a compound with two members.

11.2.7. Mandatory Naming Conventions

The following group and attribute names are mandatory in S-100: Group_F, featureCode, and (for S-102) **BathymetryCoverage**, axisNames, **BathymetryCoverage01**, and Group_nnn.

12. Data Product Delivery

12.1. Introduction

This clause describes how S-102 data will be delivered from the charting authority to the mariner.

Units of Delivery

Exchange Set

Transfer Size

See [Section 12.2.2](#).

Medium Name

Digital Data Delivery

Other Delivery Information

Each dataset must be contained in a physically separate, uniquely identified file on the transfer medium.

Each exchange set has a single exchange catalogue which contains the discovery metadata for each dataset.

An exchange set is encapsulated into a form suitable for transmission by a mapping called an encoding. An encoding translates each of the elements of the exchange set into a logical form suitable for writing to media and for transmission

online. An encoding may also define other elements in addition to the exchange set contents (This is media identification, data extents etc. ...) and may define commercial constructs such as encryption and compression methods.

If the data is transformed in S-102 it must not be changed.

This Product Specification defines the encoding which must be used as a default for transmission of data between parties.

The encoding encapsulates exchange set elements as follows:

Mandatory Elements

- S-102 datasets— HDF encoding
- Exchange Catalogue—the XML encoded representation of exchange set catalogue features [discovery metadata].

Optional Elements

- S-102 Feature Catalogue— If it is necessary to deliver the latest Feature Catalogue to the end user it may be done using the S-102 exchange set mechanism for datasets
- S-102 Portrayal Catalogue— If it is necessary to deliver the latest Portrayal Catalogue to the end user it may be done using the S-102 exchange set mechanism for datasets.

12.2. Dataset

12.2.1. Dataset management

Three types of dataset files may be produced and contained within an exchange set:

- New dataset: Initial.
- New edition of a dataset: Includes new information. New editions must cover the same area as its predecessor.
- Cancellation: The dataset is cancelled and no longer available to be displayed or used.

12.2.2. Dataset size

S-102 delivery will take place in one form: network transfer to platform (that is, internet download). An example scenario has been provided below:

NOTE: The use of 10 MB in this and other sections should be treated as informative information only. Additionally, any computed values associated with either file size limit should be treated as approximate answers. Final selection of an appropriate file size limit or grid resolution is left to the discretion of the data producer.

Network Transfer

To minimize overall file size, the HO produces a 10 MB file for wireless transmission to marine vessels. In uncompressed form, this file would contain roughly 600 nodes by 600 nodes.

[Table 13](#) provides general information to aid in the compilation of S-102 data for specific charting scales.

[Annex C](#) discusses in greater detail the physical size components of an S-102 file.

12.2.2.1. S-102 grid resolution and tiling

Table 13 — Informative Grid Resolution and Resulting Tile Size at Chart Scale

Scale	Informative Grid Resolution	Resulting Tile Size @ 10 MB
NULL (only allowed on minimum display scale where the maximum display scale = 10,000,000)		Approximate Linear Distance in Nautical Miles (M) for a 600 X 600 node grid
1:10,000,000	900 metres	291 X 291
1:3,500,000	900 metres	291 X 291
1:1,500,000	450 metres	145 X 145
1:700,000	210 metres	68 X 68
1:350,000	105 metres	34 X 34
1:180,000	54 metres	17.5 X 17.5
1:90,000	27 metres	8.7 X 8.7
1:45,000	13 metres	4.2 X 4.2
1:22,000	6 metres	1.9 X 1.9
1:12,000	3 metres	1.0 X 1.0
1:8,000	2 metres	0.6 X 0.6
1:4,000	1 metres	0.3 X 0.3
1:3,000	1 metres	0.3 X 0.3
1:2,000	1 metres	0.3 X 0.3
1:1,000	1 metres	0.3 X 0.3

12.2.3. Dataset file naming

Dataset naming must follow a standard pattern to give implementers greater predictability of incoming datasets. S-102 dataset naming conventions must follow these rules.

102PPPP000000000000.H5

102

the first 3 characters identify the dataset as an S-102 dataset (mandatory).

CCCC

the fourth to seventh characters identify the producer code of the issuing agency (mandatory for S-102). Where the producer code is derived from a 2- or 3-character format (for instance when converting S-57 ENCs), the missing characters of the producer code must be populated with zeros ("00" or "0" respectively) for the sixth and

seventh characters of the dataset file name, as required 00000000000000:: the eighth to the maximum nineteenth characters are optional and may be used in any way by the producer to provide the unique file name. The following characters are allowed in the dataset name: A to Z, 0 to 9 and the special character _ (underscore).

H5

denotes and HDF5 file.

12.3. Exchange Catalogue

The Exchange Catalogue acts as the table of contents for the Exchange Set. The Catalogue file of the Exchange Set must be named CATALOG.XML. No other file in the Exchange Set may be named CATALOG.XML. The contents of the Exchange Catalogue are described in [Chapter 13](#).

12.4. Data integrity and encryption

S-100 Part 15 defines the algorithms for compressing, encrypting and digitally signing datasets based on the S-100 Data Model. The individual Product Specifications provide details about which of the elements are being used and on which files in the dataset.

12.4.1. Use of compression

The data producer decides if compression will be used on the S-102 product files (HDF5). It is expected that a hydrographic office will make a policy decision and that all the S-102 datasets from the producer will be either compressed or uncompressed.

It is recommended to compress all the dataset files, for example HDF5 files. The ZIP compression method defined in S-100 Part 15 must be applied to the product files.

The use of compression will be encoded:

Since information about compression is encoded in the S-102_ExchangeCatalogue, it is implicitly applied to all the dataset files in the Exchange Set. It will not be possible to create an Exchange Set where some HDF5 files are compressed while others are not. In cases where a data distributor produces an integrated S-102 product, all sources are required to be either compressed or uncompressed at time of integration. In this situation the digital signature encoded into source data (that is, original data producer) will be replaced with that of the distributor (Data Server).

12.4.2. Use of data protection

It is recommended to encrypt all the dataset files, for example HDF5. The encryption method defined in S-100 Part 15 must be applied.

12.4.3. Use of digital signatures

Digital signatures shall be used on all files included in a S-102 compliant Exchange Set to meet the requirements of IMO resolution MSC.428(98) to reduce cyber security risks among users, especially when used in navigations systems at sea. The recommended signature method is defined in S-100 Part 15.

The digital signature information is encoded either in the S102_DatasetDiscoveryMetadata or the S102_CatalogueMetadata record for each file included in the Exchange Set.

13. Metadata

13.1. Introduction

The Metadata elements used in the Bathymetric Surface product are derived from S-100 and from [ISO 19115:2003](#) and [ISO 19115-2:2009](#). Optionally additional metadata may be derived from [ISO/TS 19130:2010](#) and [ISO/TS 19130-2:2014](#) especially metadata relating to the SONAR equipment which may have been used to acquire the bathymetric data.

There are only a few elements in the [ISO 19115:2003](#) metadata standard that are mandatory and these relate only to the use of the metadata for identification and pedigree of the data set. A minimum level of data identification is required for all applications including database applications, web services and data set production. However, S-102 requires certain metadata attributes which are used to geolocate the dataset as well as establish a pedigree for the data.

The elements are related in a metadata Schema and include definitions and extension procedures. There exist both mandatory and conditional metadata elements. Only a few metadata elements are mandatory but the inclusion of some of the optional metadata elements establish a situation where other metadata elements are conditionally made mandatory.

[Table 14](#) outlines the core metadata elements (mandatory and recommended optional) required for describing a geographic information data set. The codes indicate: “M” mandatory, “O” optional “C” conditional as defined in [ISO 19115:2003](#). [Table 14](#) indicates how the mandatory, optional and conditional core metadata are handled in S-102.

Table 14 — S-102 Handling of Core Metadata Elements

<p>Dataset title (M)</p> <p>S102_DS_DiscoveryMetadata > citation > CI_Citation.title</p> <p>from: (MD_Metadata.identificationInfo > MD_DataIdentification.citation > CI_Citation.title)</p>	<p>Spatial representation type (O)</p> <p>S102_DS_DiscoveryMetadata > spatialRepresentationType: MD_DataIdentification.spatialRepresentationType</p> <p>002 — Grid; (for regular grid coverage)</p> <p>from: (MD_Metadata.identificationInfo > MD_DataIdentification.spatialRepresentationType)</p>
<p>Dataset reference date (M)</p> <p>S102_DS_DiscoveryMetadata > citation > CI_Citation.date</p> <p>from: (MD_Metadata.identificationInfo > MD_DataIdentification.citation > CI_Citation.date)</p>	<p>Reference system (O)</p> <p>S102_StructureMetadataBlock > hRefSystem and S102_StructureMetadataBlock > vRefSystem</p> <p>from: (MD_Metadata.referenceSystemInfo > MD_ReferenceSystem.referenceSystemIdentifier > RS_Identifier)</p>
<p>Resource point of contact (O)</p> <p>S102_DS_DiscoveryMetadata > pointOfContact > CI_Responsibility</p> <p>from: (MD_Metadata.identificationInfo > MD_DataIdentification.pointOfContact > CI_Responsibility)</p>	<p>Lineage (O)</p> <p>S102_QualityMetadataBlock > S102_LI_Source and S102_QualityMetadataBlock > S102_LI_ProcessStep</p> <p>from: (MD_Metadata.resourceLineage > > LI_Lineage)</p>
<p>Geographic location of the dataset (by four coordinates or by geographic identifier) (C)</p> <p>S102_DS_DiscoveryMetadata > extent > EX_Extent</p> <p>from: (MD_Metadata.identificationInfo > MD_identification.extent > EX_Extent > EX_GeographicBoundingBox or EX_GeographicDescription)</p>	<p>On-line link to resource (O)</p> <p>(MD_Metadata.distributionInfo > MD_Distribution > MD_DigitalTransferOption.onLine > CI_OnlineResource)</p> <p>Optional — not required</p>
<p>Dataset language (M)</p> <p>S102_DS_DiscoveryMetadata > language</p>	<p>Metadata file parent identifier (C)</p>

from: (MD_Metadata.identificationInfo > MD_DataIdentification.language)	(MD_Metadata.parentMetadata > CI_Citation.identifier) Implicit in S-102 product specification reference to ISO 19115-1:2014/Amd 1:2018 as a normative reference
Dataset character set (C) set to default = "utf8". [not required when set to default from ISO 19115:2003] from: (MD_Metadata.identificationInfo > MD_DataIdentification.defaultLocale > PT_Locale.characterEncoding)	Metadata standard name (O) (MD_Metadata.metadataStandard > CI_Citation.title) Implicit in S-102 product specification reference to ISO 19115-1:2014/Amd 1:2018 as a normative reference
Dataset topic category (M) S102_DS_DiscoveryMetadata > topicCategory: MD_TopicCategoryCode 006— elevation; 014— oceans; 012— inlandWaters From: (MD_Metadata.identificationInfo > MD_Identification.topicCategory)	Metadata standard version (O) (MD_Metadata.metadataStandardVersion) Implicit in S-102 product specification reference to ISO 19115-1:2014/Amd 1:2018 as a normative reference
Spatial resolution of the dataset (O) (MD_Metadata.identificationInfo > MD_DataIdentification.spatialResolution > MD_Resolution.equivalentScale or MD_Resolution.distance) Since this data set is a grid coverage resolution is defined by the coverage grid parameters	Metadata language (C) (MD_Metadata.defaultLocale > PT_Locale.language) The language is set to English. In addition, additional languages may be used in accordance with the structure for handling multi-languages per ISO 19115-1:2014/Amd 1:2018
Abstract describing the dataset (M) S102_DS_DiscoveryMetadata > abstract from: (MD_Metadata.identificationInfo > MD_DataIdentification.abstract)	Metadata character set (C) set to default = "utf8". [not required when set to default from ISO 19115-1:2014/Amd 1:2018] from: (MD_Metadata.defaultLocale > PT_Locale.characterEncoding)
Distribution format (O) (MD_Metadata.distributionInfo > MD_Distribution > MD_Format) Optional— not applicable To maintain the separation of carrier and content the content model does not contain any format information. This would be included in a transmittal or by file types.	Party responsible for the metadata information (M) S102_DS_DiscoveryMetadata > contact from: (MD_Metadata.contact > CI_Responsibility.CI_Individual or MD_Metadata.contact > CI_Responsibility.CI_Organisation)
Temporal extent information for the dataset (O) (MD_Metadata.identificationInfo > MD_Identification.extent > EX_Extent.temporalElement)	Date(s) associated with the metadata (M) S102_DS_DiscoveryMetadata > dateInfo from: (MD_Metadata.dateInfo > CI_Date)
Vertical extent information for the dataset (O) MD_Metadata.identificationInfo > MD_DataIdentification.extent > EX_Extent.verticalElement > EX_VerticalExtent	Name of the scope/type of resource for which the metadata is provided (M) S102_DS_DiscoveryMetadata > resourceScope from: (MD_Metadata.metadataScope > MD_MetadataScope.resourceScope > MD_ScopeCode (codelist— ISO 19115-1:2014/Amd 1:2018))

The dataset metadata is stored in a separate file encoded according to the ISO 19115X Schemas. The name of the metadata file is MD_<HDF5 data file base name>.XML (or .xml) ISO metadata (per [S-100, Part 10c, Clause 10c-12](#)), The root element in the file is **S102_DS_MetadataBlock** which contains **S102_DS_DiscoveryMetadata**, **S102_StructureMetadataBlock** and **S102_QualityMetadataBlock**.

13.2. Discovery metadata

Metadata is used for a number of purposes. One high level purpose is for the identification and discovery of data. Every data set needs to be identified so that it can be distinguished from other data sets and so it can be found in a data catalogue, such as a Web Catalogue Service. The discovery metadata applies at the **S102_DataSet** level. Metadata in **S102_DiscoveryMetadataBlock** is encoded in a separate metadata file within the **S102_DS_MetadataBlock**.

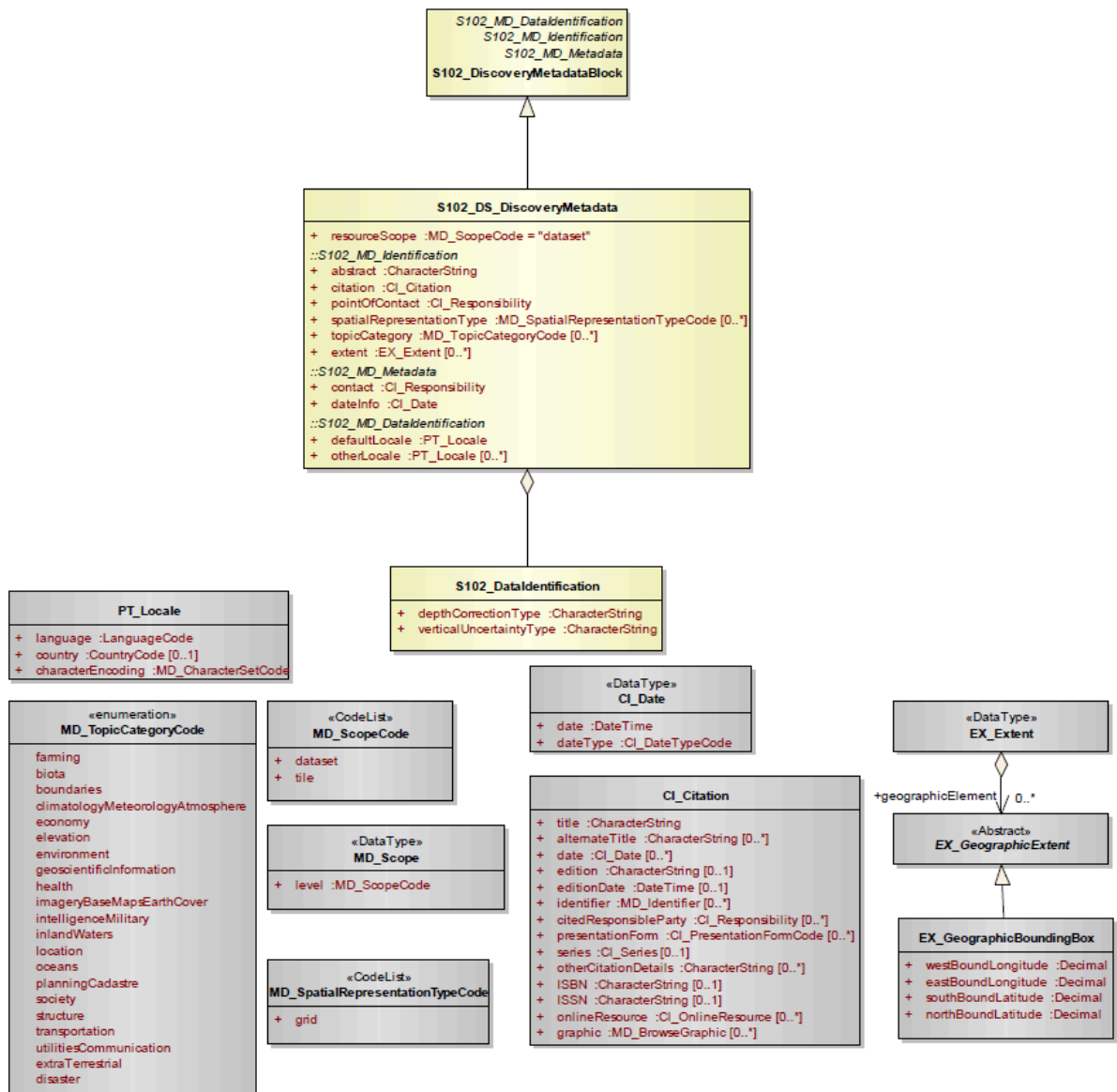


Figure 10 — S-102 Discovery Metadata

Figure 10 above shows the **S102_DiscoveryMetadataBlock**. It has a subtype **S102_DS_DiscoveryMetadata**. This implements the metadata classes from [ISO 19115:2003](#). First implementation classes have been developed corresponding to each of the [ISO 19115:2003](#) classes that have been referenced in which only the applicable attributes have been included. The class **S102_DS_DiscoveryMetadata** inherits attributes from S-102 specific implementation classes. In addition, an additional component **S102_DataIdentification** has been added.

This model provides the minimum amount of metadata for a Bathymetry Surface data product. Any of the additional optional metadata elements from the source [ISO 19115:2003](#) metadata standard can also be included.

[Table 9](#) provides a description of each attribute of the S102_DiscoveryMetadataBlock class attributes.

Table 15 — S102_DiscoveryMetadataBlock class attributes

Role Name	Name	Description	Mult	Type	Remarks
Class	S102_DiscoveryMetadataBlock	Container class for discovery metadata	-	-	
Class	S102_DS_DiscoveryMetadata	Container class for discovery metadata related to an entire data set	-	-	
attribute	resourceScope		1	MD_ScopeCode	“dataset” for S102_DS_DiscoveryMetadata
attribute	abstract	Brief narrative summary of the content of the resource(s)	1	CharacterString	
attribute	citation	Citation data for the resource(s)	1	CI_Citation	CI_Citation <<DataType>> Required items are Citation.title, & Citation.date,
attribute	pointOfContact	Identification of, and means of communication with, person(s) and organization(s) associated with the resource(s)	1	CI_Responsibility	See S-100, Part 4a, Table 4a-2 and << S-100, Part 4a, Table 4a-3 >> for required items
attribute	spatialRepresentationType	Method used to spatially represent geographic information	1	MD_SpatialRepresentationCode	MD_SpatialRepresentationTypeCode <<CodeList>> 002 — Grid; (for regular grid coverage) 001 — Vector; (not used)
attribute	topicCategory	Main theme(s) of the dataset	1..*	MD_TopicCategoryCode	MD_TopicCategoryCode <<Enumeration>> 006 — elevation 014 — oceans 012 — inlandWaters
attribute	extent	Extent information including the	0..1	EX_Extent	EX_Extent <<DataType>> If this attribute is present,

Role Name	Name	Description	Mult	Type	Remarks
		bounding box, bounding polygon, vertical, and temporal extent of the dataset			the four bounding box sub-attributes westBoundLongitude, etc., must be populated
attribute	contact	Organisation responsible for the metadata information	1	CI_Responsibility>CI_Organisation	See S-100, Part 4a, Table 4a-2 and << S-100, Part 4a, Table 4a-3 for required items
attribute	dateInfo	Date that the metadata was created	1	CI_Date (dateInfo.dateType = 'creation')	
attribute	defaultLocale	Default language and character set used in the exchange catalogue	1	PT_Locale (defaultLocale.language = ISO 639-2/T code)	Populate 'language' from ISO 639-2/T list of languages, default "eng". For example: defaultLocale.language="eng" for English defaultLocale.language="fra" for French
attribute	otherLocale	Other languages and character sets used in the exchange catalogue	0..*	PT_Locale (otherLocale.language = ISO 639-2/T code)	Populate 'language' from ISO 639-2/T list of languages. otherLocale need be populated only if the dataset uses more than one language
Class	S102_DataIdentification	Component for S102_DiscoveryMetadata Block. Extension beyond ISO 19115:2003 metadata	-	-	
attribute	depthCorrectionType	Code defining the type of sound velocity correction made to the depths	1	CharacterString	see Table 16
attribute	verticalUncertaintyType	Code defining how uncertainty was determined	1	CharacterString	see Table 17

The class **S102_DataIdentification** provides an extension to the metadata available from [ISO 19115:2003](#). The verticalUncertaintyType attribute was added to accurately describe the source and meaning of the encoded Uncertainty coverage. The depthCorrectionType was also added to define if

and how the depths are corrected (that is, true depth, depth ref 1500 m/sec, etc.). [Table 16](#) and [Table 17](#) provide a description.

Table 16 — Code defining the type of sound velocity correction

Value	Definition
SVP_Applied	Sound velocity field measured and applied (True Depth)
1500_MS	Assumed sound velocity of 1500 m/s used
1463_MS	Assumed sound velocity of 1463 m/s used (Equivalent to 4800 ft./s)
NA	Depth not measured acoustically
Carters	Depths corrected using Carter's Tables
Unknown	

Table 17 — Code defining how uncertainty was determined

Value	Definition
Unknown	"Unknown" — The uncertainty layer is an unknown type
Raw_Std_Dev	"Raw Standard Deviation" — Raw standard deviation of soundings that contributed to the node
CUBE_Std_Dev	Dev "CUBE Standard Deviation " — Standard deviation of soundings captured by a CUBE hypothesis (that is, CUBE's standard output of uncertainty)
Product_Uncert	"Product Uncertainty" — The greater of 1) standard deviation of the soundings contributing to the depth solution, or 2) the <i>a priori</i> computed uncertainty estimate (that is, modelled Total Vertical Uncertainty) reported at the 95% CL assuming Gaussian statistics
Historical_Std_Dev	"Historical Standard Deviation " — Estimated standard deviation based on historical/archive data

13.3. Structure metadata

Structure metadata is used to describe the structure of an instance of a collection. Since constraints can be different on separate files (for example they could be derived from different legal sources), or security constraints may be different, the constraint information becomes part of the structure metadata. The other structure metadata is the grid representation and the reference system.

[Figure 11](#) shows the **S102_StructureMetadataBlock**. The metadata block is generated by the inheritance of attributes from a number of [ISO 19115:2003](#) metadata classes and from two implementation classes for the horizontal and vertical reference system. This makes the metadata block a simple table.

Metadata in **S102_StructureMetadataBlock** is encoded within a separate metadata xml file under the **S102_MetadataBlock** root element.

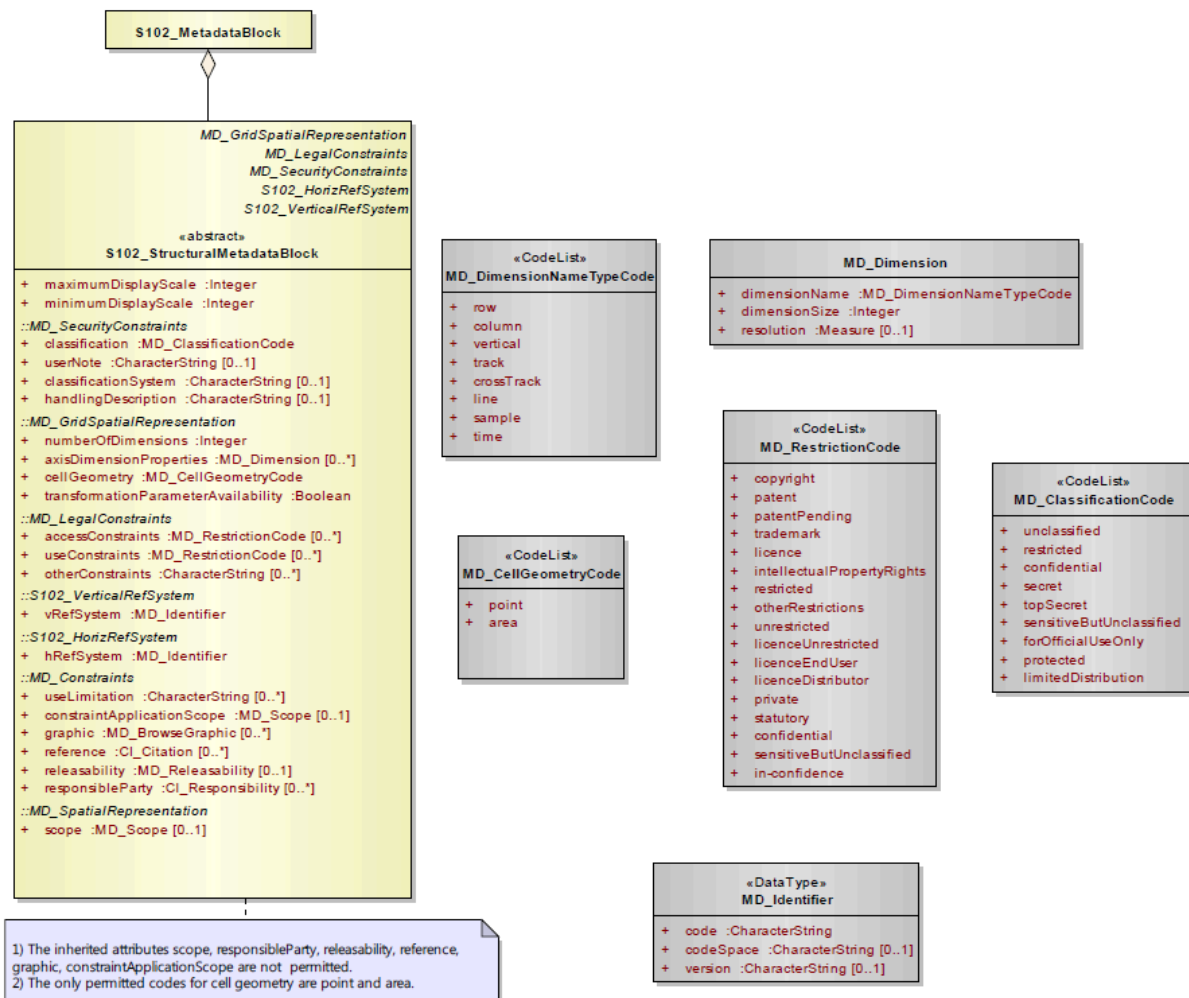


Figure 11 — S-102 Structure Metadata

Table 18 — S102_StructuralMetadataBlock class attributes

Role Name	Name	Description	Mult	Type	Remarks
Class	S102_StructuralMetadataBlock	Container class for structural metadata	-	-	
attribute	maximumDisplayScale	Maximum display scale for the bathymetry coverage	1	Integer	
attribute	minimumDisplayScale	Minimum display scale for the bathymetry coverage	1	Integer	
attribute	numberOfDimensions	Number of independent spatial/temporal axes	1	Integer	Default = 2 No other value is allowed
attribute	axisDimensionProperties	Information about spatial- temporal axis properties	1	MD_Dimension	MD_Dimension <<DataType>> dimensionName

Role Name	Name	Description	Mult	Type	Remarks
					and dimensionSize
attribute	cellGeometry	Identification of grid data as point or cell	1	MD_CellGeometryCode	
attribute	transformationParameterAvailability	Indication of whether or not parameters for transformation between image coordinates and geographic or map coordinates exist (are available)	1	Boolean	1 = yes 0 = no Mandatory and must be 1.
attribute	vRefSystem	Name of vertical reference system	1	MD_Identifier > code, codespace, version	Must be the identifier of a vertical reference system
attribute	hRefSystem	Name of horizontal reference system	1	MD_Identifier > code, codespace, version	Must be the identifier of a vertical reference system from Table 1 — EPSG Codes
attribute	accessConstraints	Access constraints applied to assure the protection of privacy or intellectual property, and any special restrictions or limitations on obtaining the dataset	0..*	MD_Restriction Code	
attribute	useConstraints	Constraints applied to assure the protection of privacy or intellectual property, and any special restrictions or limitations or warnings on using the dataset	0..*	MD_Restriction Code	
attribute	otherConstraints	Other restrictions and legal prerequisites for accessing and using the dataset	0..*	CharacterString	
attribute	classification	Name of the handling	1	MD_ClassificationCode	

Role Name	Name	Description	Mult	Type	Remarks
		restrictions on the dataset			
attribute	userNote	Additional information about the classification	0-1	CharacterString	
attribute	classificationSystem	Name of the classification system	0..1	CharacterString	
attribute	handlingDescription	Additional information about the restrictions on handling the dataset	0..1	CharacterString	
Class	MD_Dimension	Axis properties	-	-	
attribute	dimensionName	Name of axis	1	MD_DimensionTypeCode	Defaults are "row" and "column". No other value is allowed
attribute	dimensionSize	Number of elements along the axis	1	Integer	
attribute	resolution	Degree of detail in the grid dataset	0..1	Measure	value = number

13.3.1. Quality metadata

Quality metadata is used to describe the quality of the data in an instance of a collection. [Figure 12](#) shows the **S102_QualityMetadataBlock**. The **S102_QualityMetadataBlock** derives directly from the [ISO 19115:2003](#) class **DQ_DataQuality**. However, its components **S102_LI_Source** and **S102_LI_ProcessStep** are generated by the inheritance of attributes from the [ISO 19115:2003](#) classes **LI_Scope** and **LI_ProcessStep**. Only some of the attributes of the referenced [ISO 19115:2003](#) classes are implemented.

Metadata in **S102_QualityMetadataBlock** is encoded within a separate metadata xml file under the **S102_MetadataBlock** root element.

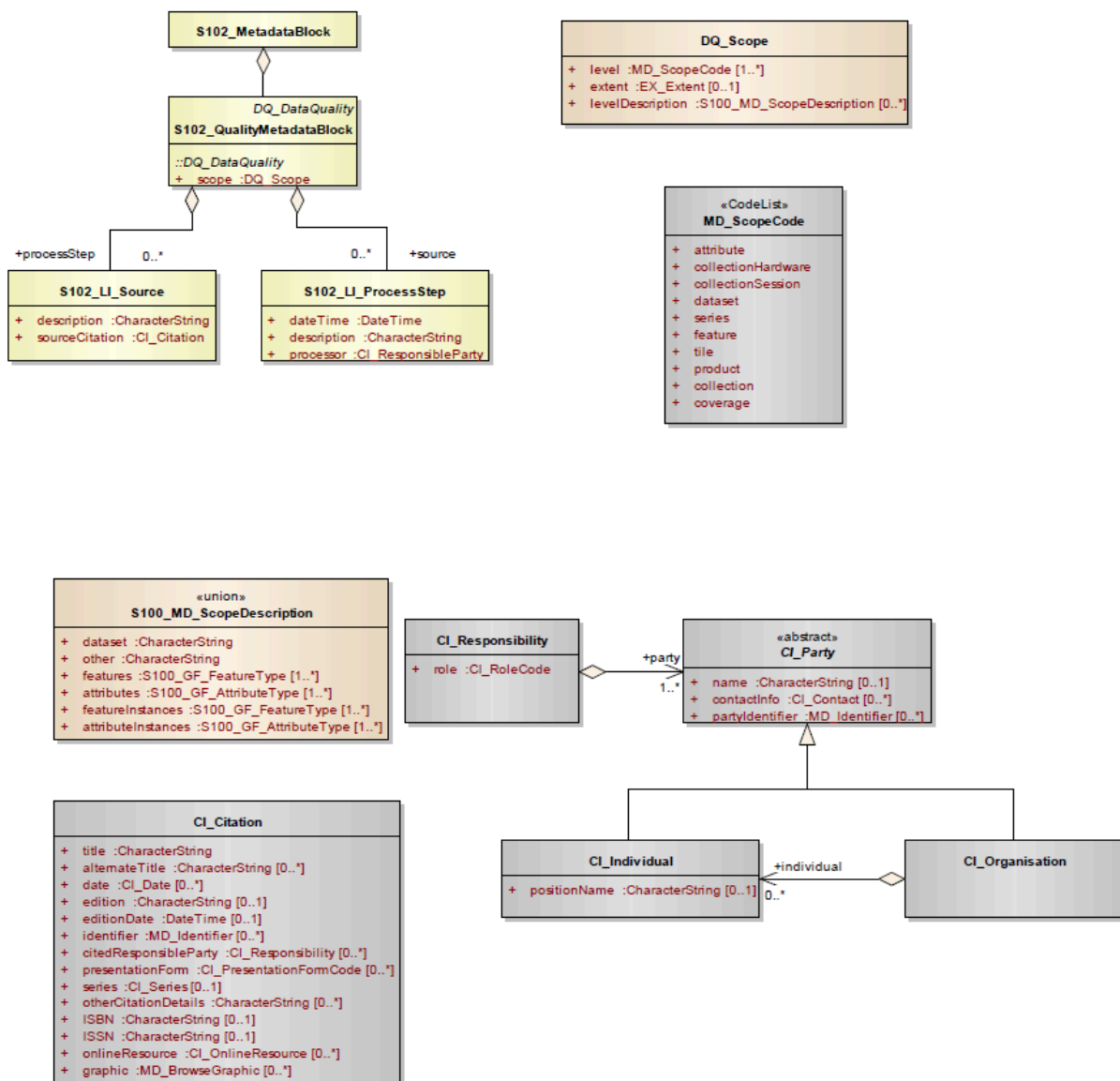


Figure 12 — S-102 Quality Metadata

Table 19 provides a description of each attribute of the S102_QualityMetadataBlock class attributes and those of its components.

Table 19 — Quality Metadata Block description

Role Name	Name	Description	Mult	Type	Remarks
Class	S102_QualityMetadataBlock	Container class for quality metadata	-	-	
attribute	scope	Extent of characteristic(s) of the data for which quality information is reported	1	DQ_Scope	
Class	S102_LI_Source	Information about the source data used in creating	-	-	

Role Name	Name	Description	Mult	Type	Remarks
		the data specified by the scope			
attribute	description	Detailed description of the level of the source data	1	CharacterString	
attribute	sourceCitation	Recommended reference to be used for the source data	1	CI_Citation	Required items are citation.title and citation.date
Class	S102_LI_ProcessStep	Information about an event or transformation in the life of a dataset including the process used to maintain the dataset	-	-	
attribute	dateTime	Date and time or range of date and time on or over which the process step occurred	1	CharacterString	
attribute	description	Description of the event, including related parameters or tolerances	1	CharacterString	
attribute	processor	Identification of, and means of communication with, person(s) and organization(s) associated with the process step	1	CI_Responsibility	See S-100, Part 4a, Table 4a-2 and S-100, Part 4a, Table 4a-3 for required items
Class	DQ_Scope	Container class for quality metadata	-	-	
attribute	level	Hierarchical level of the data specified by the scope	0..*	MD_ScopeCode <<CodeList>>	“dataset” or “tile”
attribute	extent	Information about the horizontal, vertical and temporal extent of the data specified by the scope	0..*	EX_Extent <<DataType>>	Used only if the extent of the data is different from the EX_Extent given for the collection / tile

Role Name	Name	Description	Mult	Type	Remarks
attribute	levelDescription	Detailed description about the level of the data specified by the scope	1	MD_ScopeDescription <<Union>>	

13.3.2. Acquisition metadata

Acquisition metadata to a Bathymetric Surface Product Specification profile is being developed nationally. The classes derive from [ISO 19115:2003](#), [ISO 19115-2:2009](#), [ISO/TS 19130:2010](#) and [ISO/TS 19130-2:2014](#). The later document [ISO/TS 19130-2:2014](#) contains description of SONAR parameters.

13.4. Exchange Set metadata

For information exchange, there are several categories of metadata required: metadata about the overall Exchange Catalogue, metadata about each of the datasets contained in the Catalogue.

[Figure 13](#), [Figure 14](#), [Figure 15](#) and [Figure 16](#) outline the overall concept of an S-102 Exchange Set for the interchange of geospatial data and its relevant metadata. [Figure 13](#) depicts the realization of the [ISO/TS 19139:2007](#) classes which form the foundation of the Exchange Set. The overall structure of S-102 metadata for Exchange Sets is modelled in [Figure 14](#) and [Figure 15](#). More detailed information about the various classes is shown in [Figure 16](#) and a textual description in [Tables 20](#) to [34](#).

The discovery metadata classes have numerous attributes which enable important information about the datasets to be examined without the need to process the data, for example, decrypt, decompress, load etc. Other Catalogues can be included in the Exchange Set in support of the datasets such as Feature and Portrayal.

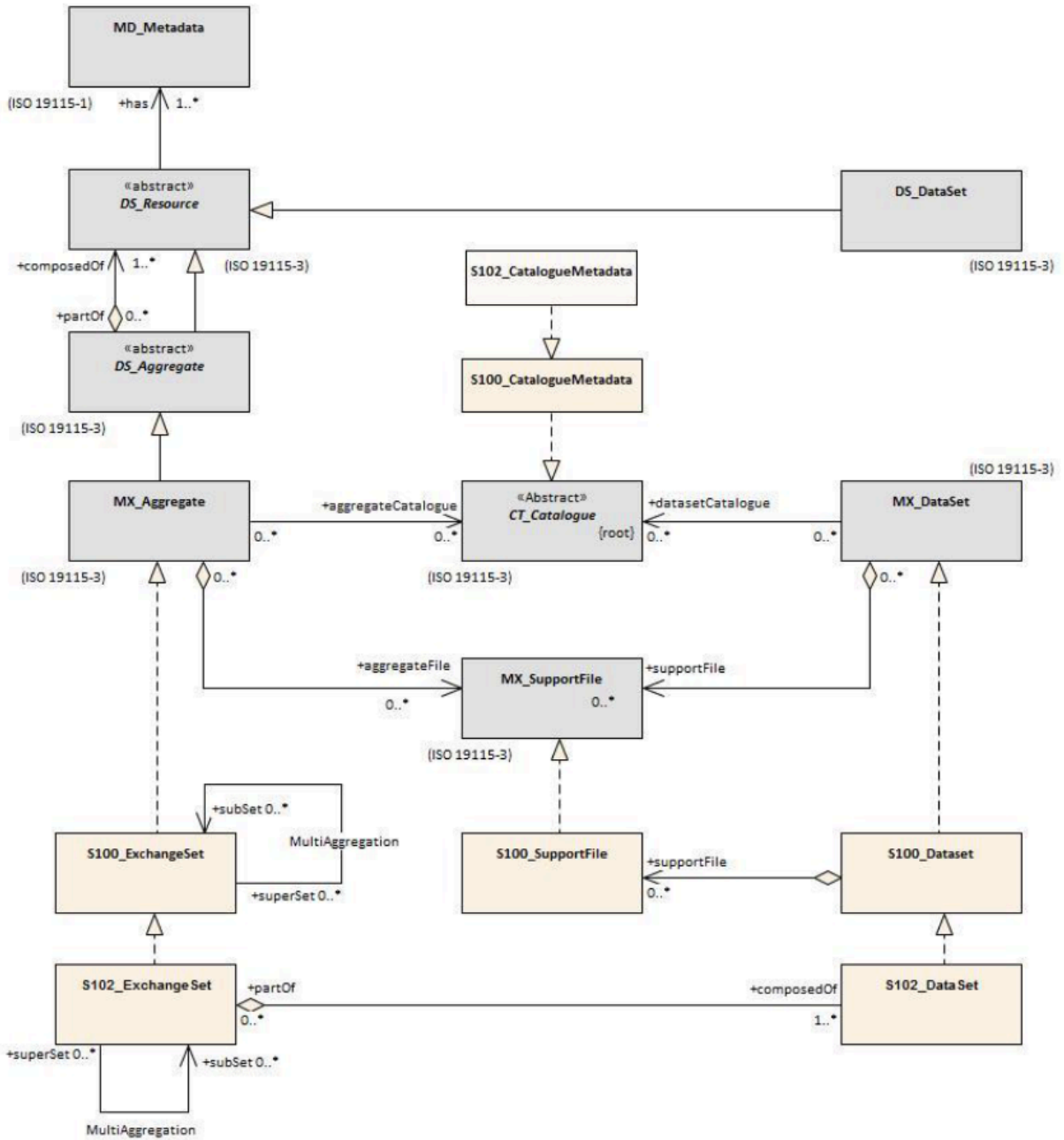


Figure 13 — Realization of the Exchange Set classes

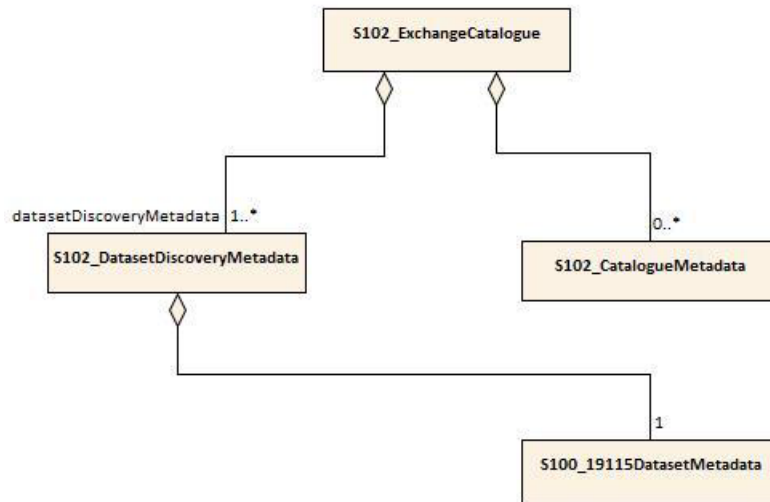


Figure 14 — S-102 Exchange Set Catalogue

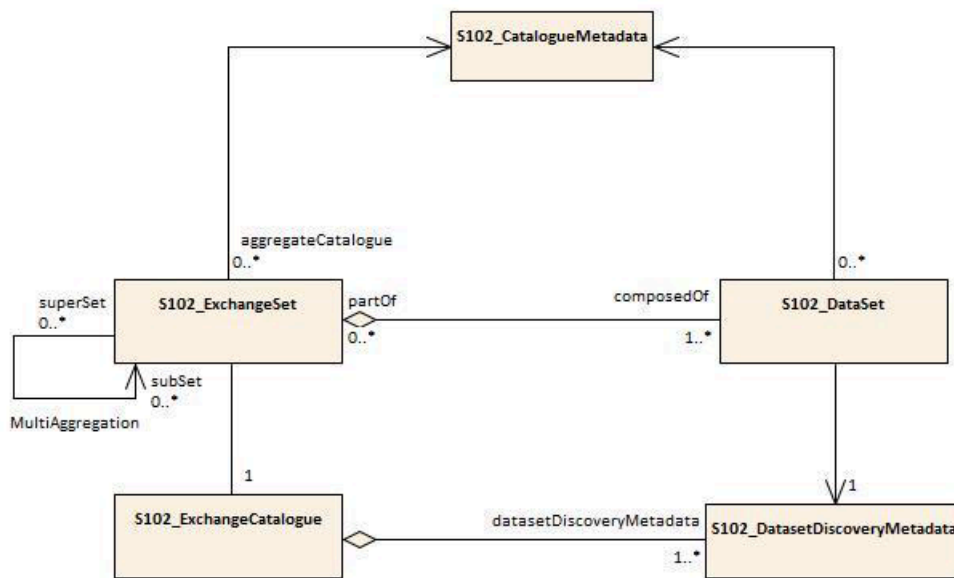


Figure 15 — S-102 Exchange Set

13.6. S102_ExchangeCatalogue

Each Exchange Set has a single S100_ExchangeCatalogue which contains meta information for the data and support files in the Exchange Set.

The class S102_ExchangeCatalogue is realized from S100_ExchangeCatalogue without modification. S-102 restricts certain attributes and roles as described in [Table 20](#). S102_ExchangeCatalogue is a container substituting for the corresponding S100_ExchangeCatalogue class in the UML diagram. It is needed because S-102 extends S-100 discovery metadata.

Table 20 — S102_ExchangeCatalogue parameters

Role name	Name	Description	Mult	Type	Remarks
Class	S100_ExchangeCatalogue	An exchange catalogue contains the discovery metadata about the exchange datasets and support files	-	-	The optional S-100 attributes replacedData and dataReplacement are not used in S-102 Support file discovery metadata is not permitted because S-102 does not use support files
Attribute	identifier	Uniquely identifies this exchange catalogue	1	S100_CatalogueIdentifier	
Attribute	contact	Details about the issuer of this exchange catalogue	1	S100_CataloguePointOfContact	
Attribute	productSpecification	Details about the product specifications used for the datasets contained in the exchange catalogue	0..1	S100_ProductSpecification	Conditional on all the datasets using the same product specification
Attribute	metadataLanguage	Details about the Language	1	CharacterString	
Attribute	exchangeCatalogueName	Catalogue filename	1	CharacterString	In S-102 is CATLOG.XML
Attribute	exchangeCatalogueDescription	Description of what the exchange catalogue contains	1	CharacterString	
Attribute	exchangeCatalogueComments	Any additional Information	0..1	CharacterString	

Role name	Name	Description	Mult	Type	Remarks
Attribute	compressionFlag	Is the data compressed	0..1	Boolean	Yes or No
Attribute	sourceMedia	Distribution media	0..1	CharacterString	
Attribute	replacedData	If a data file is cancelled is it replaced by another data file	0..1	Boolean	
Attribute	dataReplacement	Cell Name	0..1	CharacterString	
Role	datasetDiscoveryMetadata	Exchange catalogues may include or reference discovery metadata for the datasets in the exchange set	0..*	Aggregation S100_ DatasetDiscoveryMetadata	
Role	-	Metadata for catalogue	0..*	Aggregation S100_ CatalogueMetadata	Metadata for the feature, portrayal, and interoperability catalogues, if any

13.6.1. S100_CatalogueIdentifier

S-102 uses S100_CatalogueIdentifier without modification.

Table 21 — S100_CatalogueIdentifier parameters

Role name	Name	Description	Mult	Type	Remarks
Class	S100_CatalogueIdentifier	An exchange catalogue contains the discovery metadata about the exchange datasets and support files	-	-	-
Attribute	identifier	Uniquely identifies this exchange catalogue	1	CharacterString	
Attribute	editionNumber	The edition number of this exchange catalogue	1	CharacterString	

Role name	Name	Description	Mult	Type	Remarks
Attribute	date	Creation date of the exchange catalogue	1	Date	

13.6.2. S100_CataloguePointofContact

S-102 uses S100_CataloguePointOfContact without modification.

Table 22 — S100_CataloguePointofContact parameters

Role name	Name	Description	Mult	Type	Remarks
Class	S100_CataloguePointOfContact	Contact details of the issuer of this exchange catalogue	-	-	-
Attribute	organization	The organization distributing this exchange catalogue	1	CharacterString	This could be an individual producer, value added reseller, etc
Attribute	phone	The phone number of the organization	0..1	CI_Telephone	
Attribute	address	The address of the organization	0..1	CI_Address	

13.7. S102_DatasetDiscoveryMetadata

Dataset discovery metadata in S-102 is an extension of the generic S-100 metadata class S100_DatasetDiscoveryMetadata. S-102 adds the attribute *griddingMethod* which describes the algorithm used to calculate grid values. S-102 also restricts certain attributes and roles as described in [Table 23](#).

Table 23 — S102_DatasetDiscoveryMetadata parameters

Role name	Name	Description	Mult	Type	Remarks
Class	S102_DatasetDiscoveryMetadata	Metadata about the individual datasets in an S-102 exchange set	-	-	Extension of S100_DatasetDiscoveryMetadata

Role name	Name	Description	Mult	Type	Remarks
Attribute	griddingMethod	Algorithm used to calculate grid values	0..1	S102_GriddingMethod	<ol style="list-style-type: none"> 1) basicWeightedMean 2) shoalestDepth 3) tpuWeightedMean 4) cube 5) nearestNeighbour 6) naturalNeighbour 7) polynomialTendency 8) spline 9) kriging
Class	S100_DatasetDiscoveryMetadata	Metadata about the individual datasets in the exchange catalogue	-	-	<p>The optional S-100 attributes updateApplicationNumber and updateApplicationDate are not used in S-102</p> <p>References to support file discovery metadata are not permitted because S-102 does not use support files</p> <p>Optional S-100 attributes which are mandatory in S-102 are indicated in the Remarks column</p>
Attribute	fileName	Dataset file name	1	CharacterString	Dataset file name according to format defined in Section 12.2.3
Attribute	filePath	Full path from the exchange set root directory	1	CharacterString	Path relative to the root directory of the exchange set. The location of the file after the exchange set is unpacked into directory <EXCH_ROOT> will be <EXCH_ROOT>/<filePath>/<filename>

Role name	Name	Description	Mult	Type	Remarks
Attribute	description	Short description giving the area or location covered by the dataset	1	CharacterString	For example a harbour or port name, between two named locations etc
Attribute	dataProtection	Is the data encrypted	1	Boolean	True or False.
Attribute	protectionScheme	Specification or method used for data protection	0..1	S100_ProtectionScheme	In S-100 Edition 4.0.0 the only allowed value is "S100p154.0.0"
Attribute	digitalSignature	Digital Signature of the file	1	S100_DigitalSignature	Specifies the algorithm used to compute digitalSignatureValue. In S-100 Edition 4.0.0 the only allowed value is "dsa"
Attribute	digitalSignatureValue	Value derived from the digital signature	1	S100_DigitalSignatureValue	The value resulting from application of digitalSignatureReference Implemented as the digital signature format specified in S-100, Part 15
Attribute	copyright	Indicates if the dataset is copyrighted	0..1	MD_LegalConstraints → MD_RestrictionCode <copyright> (ISO 19115-1:2014/Amd 1:2018)	
Attribute	classification	Indicates the security classification of the dataset	0..1	Class MD_SecurityConstraints> MD_ClassificationCode (codelist)	1) unclassified 2) restricted 3) confidential 4) secret 5) top secret 6) sensitive but unclassified 7) for official use only 8) protected 9) limited distribution

Role name	Name	Description	Mult	Type	Remarks
Attribute	purpose	The purpose for which the dataset has been issued	1	Class MD_Identification>purpose	For example, new, re-issue, new edition, issued, update, cancelled, etc
Attribute	specificUsage	The use for which the dataset is intended	1	MD_USAGE>specificUsage (character string) MD_USAGE>userContactInfo (CI_Responsibility)	For example, in the case of ENC's this would be a navigation purpose classification
Attribute	editionNumber	The edition number of the dataset	1	CharacterString	When a data set is initially created, the edition number 1 is assigned to it. The edition number is increased by 1 at each new edition. Edition number remains the same for Update and Re-issue
Attribute	issueDate	Date on which the data was made available by the data producer	1	Date	
Attribute	issueTime	Time of day at which the data was made available by the data producer	0..1	Time	The S-100 datatype Time
Attribute	productSpecification	The product specification used to create this dataset	1	S100_ProductSpecification	
Attribute	producingAgency	Agency responsible for producing the data	1	CI_Responsibility>CI_Organisation or CI_Responsibility>CI_Individual	See S-100, Part 4a, Table 4a-2 and S-100, Part 4a, Table 4a-3
Attribute	optimumDisplayScale	The scale with which the data is optimally displayed	0..1	Integer	Example: A scale of 1:22000 is encoded as 22000

Role name	Name	Description	Mult	Type	Remarks
Attribute	maximumDisplayScale	The maximum scale with which the data is displayed	0..1	Integer	
Attribute	minimumDisplayScale	The minimum scale with which the data is displayed	0..1	Integer	
Attribute	horizontalDatumReference	Reference to the register from which the horizontal datum value is taken	1	CharacterString	EPSG
Attribute	horizontalDatumValue	Horizontal Datum of the entire dataset	1	Integer	
Attribute	epoch	Code denoting the epoch of the geodetic datum used by the CRS	0..1	CharacterString	For example, G1762 (for the 2013-10-16 realization of the geodetic datum for WGS84) or 20131016 in simple date format
Attribute	verticalDatum	Vertical Datum of the entire dataset	1	S100_VerticalAndSoundingDatum	This optional S-100 attribute is mandatory in S-102
Attribute	soundingDatum	Sounding Datum of the entire dataset	1	S100_VerticalAndSoundingDatum	This optional S-100 attribute is mandatory in S-102
Attribute	dataType	The encoding format of the dataset	1	S100_DataFormat	The only allowed value is HDF5
Attribute	otherDataTypeDescription	Encoding format other than those listed.	0..1	CharacterString	
Attribute	dataTypeVersion	The version number of the dataType.	1	CharacterString	
Attribute	dataCoverage	Provides information about data coverages within the dataset	1..*	S100_DataCoverage	This optional S-100 attribute is mandatory in S-102

Role name	Name	Description	Mult	Type	Remarks
Attribute	comment	Any additional information	0..1	CharacterString	
Attribute	layerID	Identifies other layers with which this dataset is intended to be used or portrayed	0..*	CharacterString	For example, a marine protected area dataset needs an ENC dataset to portray as intended in an ECDIS Example: "S-101" for bathymetry datasets intended as overlays for S-101 ENC data
Attribute	defaultLocale	Default language and character set used in the exchange catalogue	1	PT_Locale	Default language is English, encoded as defaultLocale.language = "eng"
Attribute	otherLocale	Other languages and character sets used in the exchange catalogue	0..*	PT_Locale	
Attribute	metadataFileIdentifier	Identifier for metadata file	1	CharacterString	For example, for ISO/TS 19115-3:2016 metadata file
Attribute	metadataPointOfContact	Point of contact for metadata	1	CI_Responsibility>CI_Individual or CI_Responsibility>CI_Organisation	See S-100, Part 4a, Table 4a-2 and S-100, Part 4a, Table 4a-3
Attribute	metadataDateStamp	Date stamp for metadata	1	Date	May or may not be the issue date
Attribute	metadataLanguage	Language(s) in which the metadata is provided	1..*	CharacterString	

13.7.1. S100_DataCoverage

S-102 uses S100_DataCoverage without modification.

Table 24 — S100_DataCoverage parameters

Role name	Name	Description	Mult	Type	Remarks
Class	S100_DataCoverage		-	-	-
Attribute	ID	Uniquely identifies the coverage	1	Integer	-
Attribute	boundingBox	The extent of the dataset limits	1	EX_GeographicBoundingBox	-
Attribute	boundingPolygon	A polygon which defines the actual data limit	1..*	EX_BoundingPolygon	-
Attribute	optimumDisplayScale	The scale with which the data is optimally displayed	0..1	Integer	Example: A scale of 1:25000 is encoded as 25000
Attribute	maximumDisplayScale	The maximum scale with which the data is displayed	0..1	Integer	
Attribute	minimumDisplayScale	The minimum scale with which the data is displayed	0..1	Integer	

13.7.2. S100_DigitalSignature

S-102 uses S100_DigitalSignature without modification.

Table 25 — S100_DigitalSignature parameters

Role name	Name	Description	Code	Remarks
Enumeration	S100_DigitalSignature	Algorithm used to compute the digital signature	-	-
Value	dsa	Digital Signature Algorithm	-	FIPS 186-4 (2013). See S-100, Part 15

13.7.3. S100_DigitalSignatureValue

S-102 uses S100_DigitalSignatureValue without modification.

Table 26 — S100_DigitalSignatureValue parameter

Role name	Name	Description	Mult	Type	Remarks
Class	S100_DigitalSignatureValue	Signed Public Key plus the digital signature	-	-	Data type for digital signature values. See S-100, Part 15

13.7.4. S100_VerticalAndSoundingDatum

S-102 uses S100_VerticalAndSoundingDatum without modification.

Table 27 — S100_VerticalAndSoundingDatum parameters

Role name	Name	Description	Mult	Type	Remarks
Enumeration	S100_VerticalAndSoundingDatum	Allowable vertical and sounding datums	-		-
Value	meanLowWaterSprings		1		(MLWS)
Value	meanLowerLowWaterSprings		2		
Value	meanSeaLevel		3		(MSL)
Value	lowestLowWater		4		
Value	meanLowWater		5		(MLW)
Value	lowestLowWaterSprings		6		
Value	approximateMeanLowWaterSprings		7		
Value	indianSpringLowWater		8		
Value	lowWaterSprings		9		
Value	approximateLowestAstronomicalTide		10		
Value	nearlyLowestLowWater		11		

Role name	Name	Description	Mult	Type	Remarks
Value	meanLowerLowWater		12		(MLLW)
Value	lowWater		13		(LW)
Value	approximateMeanLowWater		14		
Value	approximateMeanLowerLowWater		15		
Value	meanHighWater		16		(MHW)
Value	meanHighWaterSprings		17		(MHWS)
Value	highWater		18		(HW)
Value	approximateMeanSeaLevel		19		
Value	highWaterSprings		20		
Value	meanHigherHighWater		21		(MHHW)
Value	equinoctialSpringLowWater		22		
Value	lowestAstronomicalTide		23		(LAT)
Value	localDatum		24		
Value	internationalGreatLakesDatum1985		25		
Value	meanWaterLevel		26		
Value	lowerLowWaterLargeTide		27		
Value	higherHighWaterLargeTide		28		
Value	nearlyHighestHighWater		29		
Value	highestAstronomicalTide		30		(HAT)

NOTE: The numeric codes are the codes specified in the IHO GI Registry for the equivalent listed values of the IHO Hydro domain attribute *Vertical datum*, since the Registry does not at present (May 2022) contain entries for Exchange Set metadata and dataset metadata attributes.

13.7.5. S100_DataFormat

S-102 uses S100_DataFormat with a restriction on the allowed values to permit only the S-100 HDF5 format for S-102 datasets.

Table 28 — S100_DataFormat parameters

Role name	Name	Description	Code	Type	Remarks
Enumeration	S100_DataFormat	The encoding format	-	-	The only value allowed in S-102 is “HDF5”
Value	HDF5	The HDF5 data format as defined in S-100, Part 10c			

13.7.6. S100_ProductSpecification

S-102 uses S100_ProductSpecification without modification. The Product Specification attributes encoded must obviously be for this edition of S-102.

Table 29 — S100_ProductSpecification parameters

Role name	Name	Description	Mult	Type	Remarks
Class	S100_ProductSpecification	The Product Specification contains the information needed to build the specified product	-	-	-
Attribute	name	The name of the Product Specification used to create the datasets	1	CharacterString	
Attribute	version	The version number of the Product Specification	1	CharacterString	
Attribute	date	The version date of the Product Specification	1	Date	
Attribute	number	The number (Registry index) used to lookup the product in the Product Specification Register of the IHO GI registry	1	Integer	From the Product Specification Register, in the IHO Geospatial Information (GI) Registry

13.7.7. S100_ProtectionScheme

Table 30 — S100_ProtectionScheme parameters

Role name	Name	Description	Code	Type	Remarks
Enumeration	S100_ProtectionScheme	Data protection schemes	-	-	-
Value	S100p154.0.0	S-100 4.0.0 Part 15	-	-	See S-100, Part 15 . NOTE: The specified value corrects a discrepancy between S-100 4.0.0 Figure 4a-D-4 and the Table S100_ProtectionScheme in S-100 Part 4a-D.

13.7.8. S102_GriddingMethod

Table 31 — S102_GriddingMethod parameters

Role name	Name	Description	Mult	Type	Remarks
Enumeration	S102_GriddingMethod	Gridding methods	-	-	-
Value	basicWeightedMean	The Basic Weighted Mean algorithm computes an average depth for each grid node. Contributing depth estimates within a given area of influence are weighted and averaged to compute the final nodal value	1	-	
Value	shoalestDepth	The Shoalest Depth algorithm examines depth estimates within a specific area of influence and assigns the shoalest value to the nodal position.	2	-	

Role name	Name	Description	Mult	Type	Remarks
		The resulting surface represents the shallowest depths across a given area			
Value	tpuWeightedMean	The Total Propagated Uncertainty (TPU) Weighted Mean algorithm makes use of the depth and associated total propagated uncertainty for each contributing depth estimate to compute a weighted average depth for each nodal position	3	-	TPU is a measure of the expected accuracy of the depth estimate when all relevant error/ uncertainty sources have been considered
Value	cube	The Combined Uncertainty and Bathymetric Estimator, or CUBE makes use of the depth and associated total propagated uncertainty for each contributing depth estimate to compute one or many hypotheses for an area of interest. The resulting hypotheses are used to estimate statistical representative depths at each nodal position	4	-	
Value	nearestNeighbour	The Nearest Neighbour algorithm identifies the nearest depth value within an area of interest and assigns that value to the nodal position. This method does not consider values from neighbouring points	5	-	

Role name	Name	Description	Mult	Type	Remarks
Value	naturalNeighbour	Natural Neighbour interpolation identifies and weights a subset of input samples within the area of interest to interpolate the final nodal value	6	-	
Value	polynomialTendency	The Polynomial Tendency gridding method attempts to fit a polynomial trend, or best fit surface to a set of input data points. This method can project trends into areas with little to no data, but does not work well when there is no discernible trend within the data set	7	-	
Value	spline	The Spline algorithm estimates nodal depths using a mathematical function to minimize overall surface curvature. The final “smoothed” surface passes exactly through the contributing input depth estimates	8	-	
Value	kriging	Kriging is a geostatistical interpolation method that generates an estimated surface from a scattered set of points with a known depth	9	-	

13.8. S102_CatalogueMetadata

The class S102_CatalogueMetadata is realized from S100_CatalogueMetadata without modification. The S-102 class is defined in order to act as a proxy for the corresponding S-100 generic class in S-102 UML diagrams of Exchange Set structure.

Table 32 — S102_CatalogueMetadata parameters

Role name	Name	Description	Mult	Type	Remarks
Class	S102_CatalogueMetadata	Class for S-102 catalogue metadata	-	-	-
Attribute	filename	The name for the catalogue	1..*	CharacterString	
Attribute	fileLocation	Full location from the Exchange Set root director	1..*	CharacterString	Path relative to the root directory of the exchange set. The location of the file after the exchange set is unpacked into directory <EXCH_ROOT> will be <EXCH_ROOT>/<filePath>/<filename>
Attribute	scope	Subject domain of the catalogue	1..*	S100_CatalogueScope	
Attribute	versionNumber	The version number of the Product Specification	1..*	CharacterString	
Attribute	issueDate	The version date of the Product Specification	1..*	Date	
Attribute	productSpecification	The Product Specification used to create this file	1..*	S100_ProductSpecification	
Attribute	digitalSignatureReference	Digital signature of the file	1	S100_DigitalSignature	Reference to the appropriate digital signature algorithm
Attribute	digitalSignatureValue	Value derived from the digital signature	1	S100_DigitalSignatureValue	The value resulting from application of digitalSignatureReference

Role name	Name	Description	Mult	Type	Remarks
					Implemented as the digital signature format specified in S-100, Part 15
Attribute	defaultLocale	Default language and character set used in the Exchange Catalogue	1	PT_Locale	
Attribute	otherLocale	Other languages and character sets used in the Exchange Catalogue	0..*	PT_Locale	

13.8.1. S100_CatalogueScope

S-102 uses S100_CatalogueScope without modification.

Table 33 — S100_CatalogueScope parameters

Role name	Name	Description	Code	Type	Remarks
Enumeration	S100_CatalogueScope	The scope of the catalogue	-	-	-
Value	featureCatalogue	S-100 feature catalogue			
Value	portrayalCatalogue	S-100 portrayal catalogue			
Value	interoperabilityCatalogue	S-100 interoperability information			

13.8.2. PT_Locale

Table 34 — PT_Locale parameters

Role name	Name	Description	Mult	Type	Remarks
Class	PT_Locale	Description of a locale	-	-	From ISO 19115-1:2014/ Amd 1:2018

Role name	Name	Description	Mult	Type	Remarks
Attribute	language	Designation of the locale language	1	LanguageCode	ISO 639-2:1998 3-letter language codes.
Attribute	country	Designation of the specific country of the locale language	0..1	CountryCode	ISO 3166-2:2013 2-letter country codes
Attribute	characterEncoding	Designation of the character set to be used to encode the textual value of the locale	1	MD_CharacterSetCode	Use (the "Name" from the) IANA Character Set register: http://www.iana.org/assignments/character-sets . (ISO 19115-1:2014/Amd 1:2018 B.3.14) For example, UTF-8

The class PT_Locale is defined in [ISO 19115-1:2014/Amd 1:2018](#). LanguageCode, CountryCode, and MD_CharacterSetCode are ISO codelists which should either be defined in resource files and encoded as (string) codes, or represented by the corresponding literals from the namespaces identified in the Remarks column.

2. Overview

With the advent of electronic navigation and the technological progress of surveying systems and production capabilities, the ability to enhance maritime navigation with the portrayal of high resolution bathymetry has become a requirement. The provision and utilization of such data in a standardized format is essential to support the safe and precise navigation of marine vessels, and furthermore an important basis for many other maritime applications.

2.1. Introduction

This document describes an S-100 compliant product specification for a bathymetric surface product. Incorporating aspects of the navigation surface concept [Smith et al, 2002], an S-102 bathymetric surface product is a digital elevation model which represents the seafloor in a regular grid structure. It can be used alone or as an important element/source for future S-100 conformant ECDIS navigation. The product specification is based on the IHO S-100 framework specification and the ISO 19100 series of standards. It comprises the content model (spatial structure and metadata), encoding structure, portrayal and exchange file format for a bathymetric surface product.

2.2. References

- [1] S-100 edition 5.0.0: IHO Universal Hydrographic Data Model, International Hydrographic Organization (https://iho.int/uploads/user/pubs/standards/s-100/S-100_5.0.0_Final_Clean_Web.pdf).
- [2] S-44 edition 5.0.0: IHO Standards for Hydrographic Surveys, International Hydrographic Organization (https://iho.int/uploads/user/pubs/standards/s-44/S-44_5E.pdf).
- [3] S-49 edition 2.0.0: STANDARDIZATION of MARINERS' ROUTEING GUIDES, International Hydrographic Organization (https://iho.int/uploads/user/pubs/standards/s-49/S-49_e2.0_EN.pdf).
- [4] S-32 edition 1.0.0: Hydrographic Dictionary — Glossary of ECDIS Related Terms, International Hydrographic Organization (http://hd.iho.int/en/index.php/Main_Page).
- [5] ISO 8601:2004: Data elements and interchange formats — Information interchange — Representation of dates and times, International Organization for Standardization (<https://www.iso.org/standard/40874.html>).
- [6] ISO 639-2:1998: Codes for the representation of names of languages — Part 2: Alpha-3 code, International Organization for Standardization (<https://www.iso.org/standard/4767.html>).
- [7] ISO/TS 19103:2015: ISO and TS.
- [8] ISO 19111:2007: Geographic information — Spatial referencing by coordinates, International Organization for Standardization (<https://www.iso.org/standard/41126.html>).
- [9] ISO 19115:2003: Geographic information — Metadata, International Organization for Standardization (<https://www.iso.org/standard/26020.html>).
- [10] ISO 19115-1:2014/Amd 1:2018: Geographic information — Metadata — Part 1: Fundamentals, International Organization for Standardization (<https://www.iso.org/standard/73118.html>).
- [11] ISO 19115-2:2009: Geographic information — Metadata — Part 2: Extensions for imagery and gridded data, International Organization for Standardization (<https://www.iso.org/standard/39229.html>).

- [12] ISO/TS 19115-3:2016: Geographic information — Metadata — Part 3: XML schema implementation for fundamental concepts, International Organization for Standardization (<https://www.iso.org/standard/32579.html>).
- [13] ISO 19123:2005: Geographic information — Schema for coverage geometry and functions, International Organization for Standardization (<https://www.iso.org/standard/40121.html>).
- [14] ISO 19129:2009: ISO.
- [15] ISO 19131:2007/Amd 1:2011: Geographic information — Data product specifications — Amendment 1: Requirements relating to the inclusion of an application schema and feature catalogue and the treatment of coverages in an application schema., International Organization for Standardization (<https://www.iso.org/standard/51790.html>).
- [16] ISO/IEC 19501:2005: Information technology — Open Distributed Processing — Unified Modeling Language (UML) Version 1.4.2, International Organization for Standardization and International Electrotechnical Commission (<https://www.iso.org/standard/32620.html>).
- [17] ISO 3166-2:2013: Codes for the representation of names of countries and their subdivisions — Part 2: Country subdivision code, International Organization for Standardization (<https://www.iso.org/standard/63546.html>).
- [18] ISO/TS 19130:2010: Geographic information — Imagery sensor models for geopositioning, International Organization for Standardization (<https://www.iso.org/standard/51789.html>).
- [19] ISO/TS 19130-2:2014: Geographic information — Imagery sensor models for geopositioning — Part 2: SAR, InSAR, lidar and sonar, International Organization for Standardization (<https://www.iso.org/standard/56113.html>).
- [20] ISO/TS 19139:2007: Geographic information — Metadata — XML schema implementation, International Organization for Standardization (<https://www.iso.org/standard/32557.html>).
- [21] ISO/IEC 10646-1:2000: Information technology — Universal Multiple-Octet Coded Character Set (UCS)— Part 1: Architecture and Basic Multilingual Plane, International Organization for Standardization and International Electrotechnical Commission (<https://www.iso.org/standard/29819.html>).
- [22] IHO: The Navigation Surface: A New Database Approach to Creating Multiple Products from High-Density Surveys, Shep M. LT Smith, (<http://scholars.unh.edu/ccom/976>).
- [23] IHO: The Open Navigation Surface Project, Brian Calder, (<https://scholars.unh.edu/ccom/1011>).

2.3. Terms, definitions and abbreviations

2.3.1. Use of language

Within this document:

- “Must” indicates a mandatory requirement.
- “Should” indicates an optional requirement, that is the recommended process to be followed, but is not mandatory.
- “May” means “allowed to” or “could possibly” and is not mandatory.

2.3.2. Terms and definitions

2.3.2.1. Accuracy

Closeness of agreement between a test result and the accepted reference values.

NOTE: A test result can be from an observation or measurement.

2.3.2.2. Coordinate

One of a sequence of n numbers designating the position of a point in N-dimensional space.

NOTE: The numbers must be qualified by units.

2.3.2.3. Coordinate Reference System

Coordinate system which is related to the real world by a datum.

2.3.2.4. Coverage

Feature that acts as a function to return values from its range for any direct position within its spatial, temporal, or **spatiotemporal domain**.

NOTE: In other words, a coverage is a feature that has multiple values for each attribute type, where each direct position within the geometric representation of the feature has a single value for each attribute type.

EXAMPLE: Examples include a digital image, polygon overlay, or digital elevation matrix

2.3.2.5. Coverage Geometry

Configuration of the **domain** of a **coverage** described in terms of **coordinates**.

2.3.2.6. Direct Position

Position described by a single set of **coordinates** within a **coordinate reference system**.

2.3.2.7. Domain

Well-defined set.

NOTE: Domains are used to define the domain set and range set of attributes, operators and functions.

2.3.2.8. Depth

The vertical distance from a given water level to the bottom.

2.3.2.9. Feature

Abstraction of real world phenomena.

NOTE: A feature may occur as a type or an instance. Feature type or feature instance should be used when only one is meant.

2.3.2.10. Feature Attribute

Characteristic of a **feature**.

NOTE: A feature attribute type has a name, a data type and a domain associated to it. A feature attribute instance has an attribute value taken from the value domain of the feature attribute type.

2.3.2.11. Function

Rule that associates each element from a **domain** (source, or domain of the function) to a unique element in another domain (target, co-domain, or **range**).

NOTE: The range is defined by another domain.

2.3.2.12. Geometric Object

Spatial object representing a set of **direct positions**

NOTE: A geometric object consists of a geometric primitive, a collection of geometric primitives, or a geometric complex treated as a single entity. A geometric object may be the spatial characteristics of an object such as a feature or a significant part of a feature.

2.3.2.13. Grid

Network composed of two or more sets of curves in which the members of each set intersect the members of the other sets in a systematic way.

NOTE: The curves partition a space into grid cells.

2.3.2.14. Grid Point

Point located at the intersection of two or more curves in a **grid**.

2.3.2.15. LIDAR

An optical remote sensing technique that uses a laser pulse to determine distance.

NOTE: LIDAR may be used to determine depth in shallow water areas.

2.3.2.16. Navigation Surface

A **coverage** representing the bathymetry and associated uncertainty with the methods by which those objects can be manipulated, combined and used for a number of tasks, certified for safety of navigation

2.3.2.17. Range <coverage>

Set of values associated by a **function** with the elements of the **spatiotemporal domain** of a **coverage**.

2.3.2.18. Record

Finite, named collection of related items (objects or values).

NOTE: Logically, a record is a set of pairs <name, item >.

2.3.2.19. Rectified Grid

Grid for which there is a linear relationship between the **grid coordinates** and the **coordinates** of an external **coordinate reference system**.

NOTE: If the coordinate reference system is related to the earth by a datum, the grid is a georectified grid.

2.3.2.20. Referenceable Grid

Grid associated with a transformation that can be used to convert **grid coordinate** values to values of coordinates referenced to an **external coordinate reference system**.

2.3.2.21. SONAR

A technique that uses sound propagation through water to determine distance, primarily **depth** measurement.

2.3.2.22. Spatiotemporal Domain <coverage>

Domain composed of **geometric objects** described in terms of spatial and/or temporal **coordinates**.

NOTE: The spatiotemporal domain of a continuous coverage consists of a set of direct positions defined in relation to a collection of geometric objects.

2.3.2.23. Surface

Connected 2-dimensional geometric primitive, representing the continuous image of a region of a plane.

NOTE: The boundary of a surface is the set of oriented, closed curves that delineate the limits of the surface.

2.3.2.24. Uncertainty

The interval (about a given value) that will contain the true value of the measurement at a specific confidence level.

NOTE: Errors exist and are the differences between the measured value and the true value. Since the true value is never known it follows that the error itself cannot be known. Uncertainty is a statistical assessment of the likely magnitude of this error.

2.3.2.25. Vector

Quantity having direction as well as magnitude.

NOTE: A directed line segment represents a vector if the length and direction of the line segment are equal to the magnitude and direction of the vector. The term vector data refers to data that represents the spatial configuration of features as a set of directed line segments.

2.3.3. Abbreviated terms

This Product Specification adopts the following convention for presentation purposes:

API	Application Programming Interface
BAG	Bathymetric Attributed Grid
DS	Digital Signature
DSS	Digital Signature Scheme
ECDIS	Electronic Chart Display Information System
ECS	Electronic Chart System
ENC	Electronic Navigational Chart
GML	Geography Markup Language
IHO	International Hydrographic Organization
ISO	International Organization for Standardization
LIDAR	Light Detection and Ranging
NS	Navigation Surface
ONS	Open Navigation Surface
PK	Public Key
SA	Signature Authority
SK	Secret Key
SONAR	Sound Navigation and Ranging
UML	Universal Modelling Language

2.4. General S-102 data product description

Title	Bathymetric Surface Product Specification
Abstract	This document is a Product Specification for a bathymetric surface which may be used alone or as an important element/source for future S-100 conformant ECDIS navigation. The product is defined as a data set with different coverages. This Product Specification includes a content model and separate encodings.
Acronym	S-102
Content	The Product Specification defines all requirements to which S-102 bathymetric data products must conform. Specifically, it defines the data product content in terms of features and attributes within the feature catalogue. The display of features is defined by the symbols and rule sets contained in the portrayal catalogue. The Data Classification and Encoding Guide (DCEG) provides guidance on how data product content must be captured. Annex A , in addition to Appendix 1 , will provide implementation guidance for developers.
Spatial Extent	<p>Description: Areas specific to marine navigation.</p> <p>East Bounding Longitude: 180°</p> <p>West Bounding Longitude: -180°</p> <p>North Bounding Latitude: 90°</p> <p>South Bounding Latitude: -90°</p>

Purpose	The primary purpose of the Bathymetric Surface Product is to provide high resolution bathymetry in gridded form in support of safety of navigation. A Bathymetric Surface Product may exist anywhere in the maritime domain. There are no limitations to its extent. Portrayal of S-102 bathymetry with other S-100 compliant products are intended to support safe passage, precise berthing and mooring, as well as route planning of marine vessels. The secondary purpose of a bathymetric surface product is to provide high resolution bathymetric data for other maritime applications.
----------------	--

2.5. Product Specification metadata

This information uniquely identifies this Product Specification and provides information about its creation and maintenance. For further information on dataset metadata, see [Chapter 13](#).

Title	Bathymetric Surface Product Specification
S-100 Version	4.0.0
S-102 Version	2.1.0
Date	October 2022
Language	English
Classification	Unclassified
Contact	International Hydrographic Bureau 4 Quai Antoine 1er B.P. 445 MC 98011 MONACO CEDEX Telephone: +377 93 10 81 00 Fax: +377 93 10 81 40 Email: info@iho.int
URL	www.iho.int
Identifier	IHO:S100:S102:2:1:0
Maintenance	Changes to the Product Specification S-102 are coordinated by the IHO S-100 Working Group (S-100WG), and must be made available via the IHO web site. Maintenance of the Product Specification must conform to IHO Resolution 2/2007, as amended.

2.6. IHO Product Specification Maintenance

2.6.1. Introduction

Changes to S-102 will be released by the IHO as a New Edition, revision, or clarification.

2.6.2. New Edition

New Editions of S-102 introduce significant changes. *New Editions* enable new concepts, such as the ability to support new functions or applications, or the introduction of new constructs or data types. *New Editions* are likely to have a significant impact on either existing users or future users of S-102.

2.6.3. Revisions

Revisions are defined as substantive semantic changes to S-102. Typically, *revisions* will change S-102 to correct factual errors; introduce necessary changes that have become evident as a result of practical experience or changing circumstances. A *revision* must not be classified as a clarification. Revisions could have an impact on either existing users or future users of S-102. All cumulative *clarifications* must be included with the release of approved *revisions*.

Changes in a revision are minor and ensure backward compatibility with the previous versions within the same Edition. Newer revisions, for example, introduce new features and attributes. Within the same Edition, a dataset of one version could always be processed with a later version of the Feature and Portrayal Catalogues.

In most cases a new feature or portrayal catalogue will result in a *revision* of S-102.

2.6.4. Clarification

Clarifications are non-substantive changes to S-102. Typically, *clarifications*: remove ambiguity; correct grammatical and spelling errors; amend or update cross references; insert improved graphics in spelling, punctuation and grammar. A *clarification* must not cause any substantive semantic change to S-102.

Changes in a *clarification* are minor and ensure backward compatibility with the previous versions within the same Edition. Within the same Edition, a dataset of one clarification version could always be processed with a later version of the Feature and Portrayal Catalogues, and a Portrayal Catalogue can always rely on earlier versions of the Feature Catalogue.

2.6.5. Version Numbers

The associated version control numbering to identify changes (n) to S-102 must be as follows:

New Editions denoted as n.0.0

Revisions denoted as n.n.0

Clarifications denoted as n.n.n

Annex A

Data Classification and Encoding Guide

A.1. Features

A.1.1. BathymetryCoverage

Table A.1 — BathymetryCoverage feature parameters

IHO Definition: Bathymetry Coverage. A set of value items required to define a dataset representing a depth calculation and its associated uncertainty.			
Primitive: S-100_Grid_Coverage			
Attribute	Allowable Encoding Value	Type	Multiplicity
depth	Must be in decimal metres with precision not to exceed 0.01 metres	real	1
uncertainty	Must be in decimal metres with precision not to exceed 0.01 metres	real	1

A.2. Feature Attributes

A.2.1. BathymetryCoverage

Table A.2 — BathymetryCoverage feature attribute parameters

IHO Definition: depth . The vertical distance from a given water level to the bottom [S-32] .
Unit: metres
Resolution: 0.01
Remarks: <ul style="list-style-type: none"> Drying heights (drying depths) are indicated by a negative value.
IHO Definition: uncertainty . The interval (about a given value) that will contain the true value of the measurement at a specific confidence level [S-44] .
Unit: metres
Resolution: 0.01
Remarks: <ul style="list-style-type: none"> Represents a +/- value defining the possible range of associated depth. Expressed a positive number.

Annex B

Normative Implementation Guidance

NOTE: Normative Implementation Guidance to be addressed in a future version of S-102.

Appendix 1 Feature Catalogue

S-102 Feature Catalogue information is contained within a separate document: S-102FC_Ed2.1.0.docx.

Appendix 2 Portrayal Catalogue

NOTE: Portrayal Catalogue currently under development.

Annex C

S-102 Dataset Size and Production

C.1. Header Record

An S-102 file will contain two header sections. The first section contains, at minimum, the mandatory metadata elements as defined in S-100 Part 4. The second section contains, at minimum, the mandatory metadata elements as defined in [Chapter 13](#) of the S-102 Product Specification. The producers may add optionally defined metadata to these sections, as their processes/standards require.

Given that the contents of these metadata attributes will vary between producers, it is impossible to define a definitive size for the file header. The estimated maximum size for the full header of an S-102 file is 3 MB. This is an estimate based on the expected encoding of mandatory metadata in both S-100/S-102, usage of the optional metadata elements and expected verbosity of those elements.

C.2. Data Records/Nodes

BathymetryCoverage and is defined as a two-dimensional array of nodes containing bathymetric data. Each of the nodes within this array contains two data values (depth and uncertainty). Both values are stored as a 4-byte floating point. The total size of each node will therefore be 8 bytes.

C.3. File Estimates

[Table C.1](#) estimates the possible number of records for a given S-102 file. This estimation is based on file size constraints and the estimates described above. Rounded to the nearest hundred, this estimate allows us to state that a file not exceeding 600×600 will remain below the 10 MB. [Figure C.1](#) depicts the maximum grid size for 10MB.

Table C.1 — Calculated File Size for 10 MB (Uncompressed Dataset)

BathymetryCoverage					
Records					
Name	Type	Size			
depth	Float	4			
uncertainty	Float	4			
	Total Size	8			
Sizes (bytes)					
KB		MB		GB	
1,024		1,048,576		1,073,741,824	
File Options					
Max Size Options (MB)		10			
Header Size (MB)		3			
<i>BathymetryCoverage Size</i>					
BathymetryCoverage Size(MB)		7			

Total Number of BathymetryCoverage Records	366,902
Square Dimensions (BathymetryCoverage)	606

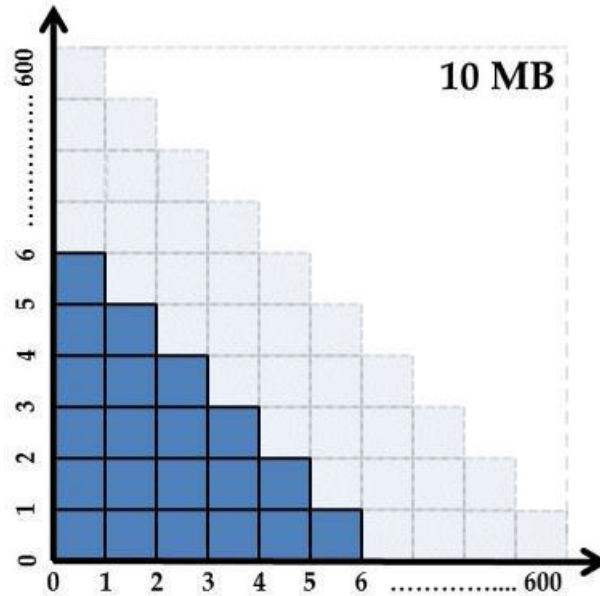


Figure C.1 — Informative grid extents for a 10 MB Uncompressed Dataset

Annex D

S-102 Gridding Methods

- The **Basic Weighted Mean** algorithm computes an average depth for each grid node. Contributing depth estimates within a given area of influence are weighted and averaged to compute the final nodal value.
- The **Shoalest Depth** algorithm examines depth estimates within a specific area of influence and assigns the shoalest value to the nodal position. The resulting surface represents the shallowest depths across a given area.
- The **Total Propagated Uncertainty (TPU) Weighted Mean** algorithm makes use of the depth and associated total propagated uncertainty for each contributing depth estimate to compute a weighted average depth for each nodal position.
- NOTE: TPU is a measure of the expected accuracy of the depth estimate when all relevant error/uncertainty sources have been considered.
- The **Combined Uncertainty and Bathymetric Estimator, or CUBE** makes use of the depth and associated total propagated uncertainty for each contributing depth estimate to compute one or many hypotheses for an area of interest. The resulting hypotheses are used to estimate statistical representative depths at each nodal position.
- The **Nearest Neighbour** algorithm identifies the nearest depth value within an area of interest and assigns that value to the nodal position. This method does not consider values from neighbouring points.
- **Natural Neighbour** interpolation identifies and weights a subset of input samples within the area of interest to interpolate the final nodal value.
- The **Polynomial Tendency** gridding method attempts to fit a polynomial trend, or best fit surface to a set of input data points. This method can project trends into areas with little to no data, but does not work well when there is no discernible trend within the data set.
- The **Spline** algorithm estimates nodal depths using a mathematical function to minimize overall surface curvature. The final “smoothed” surface passes exactly through the contributing input depth estimates.
- **Kriging** is a geostatistical interpolation method that generates an estimated surface from a scattered set of points with a known depth.

Annex E

Multi-Resolution Gridding

NOTE: Multi-Resolution gridding to be addressed in a future version of S-102.

Annex F

Gridding Full Resolution Source Bathymetry and its Relationship to a Charted Sounding

F.1. Modern High-Resolution Hydrographic Multibeam Sonars

As stated in [Chapter 5](#), the majority of modern hydrographic surveys are conducted using high-resolution multibeam sonar systems. These systems provide great target detection capability and allow for the production of highly detailed images of the seafloor. It must be understood that this capability comes at a price. These systems collect a tremendous amount of information which requires sufficient processing power and data storage to reduce an overwhelming quantity of depth estimates to a manageable number for charting production. The following example describes one method to grid high-resolution multibeam sonar data. This example additionally shows the relationship of a product scale grid to the actual charted sounding.

F.1.1. Example collection scenario

Environmental Characteristics	Relatively Flat Seafloor Average Water Depth: 20 metres
Charting Parameters	Intended charting scale: 1:22,000
Survey Plan	Survey Length: 30 days Daily Collection Window: 12 hours each day Collection Speed: 8 kts.
Collection Sonar Characteristics	Sonar Frequency: 400kHz Beam Width: 0.5° X 0.5° Number of Beams Across Swath: 400 soundings per ping Swath Coverage: 5 times water depth Sonar Max Ping Rate: 20 Hz

F.2. Survey Metrics

F.2.1. Ping rate and number of depth estimates

In 20 metres of water the system described above would collect 400 individual depth estimates each ping. If maximum ping rate of 20 Hz is realized the sonar has the ability to collect 8000 individual depth estimates every second.

400 depth estimates per ping X 20 Hz = 8000 depth estimates / second

-OR-

28.8 million depth estimates each hour.

345.6 million depth estimates every day.

10.4 billion depth estimates at the end of the survey.

F.2.2. Sonar footprint

Sonar footprint is a function of water depth (20 metres) and beam angle (0.5° X 0.5°). Computed footprint at nadir:

Footprint @ Nadir = $2x((\text{Depth})x(\text{Tan}\frac{\varnothing}{2}))$, where \varnothing = Beam Width

Footprint = $2x((20m)x(\text{Tan}25))=0.17\text{metres}$

Since this is a 0.5°x0.5° system, the total footprint at Nadir is: 0.17m x 0.17m

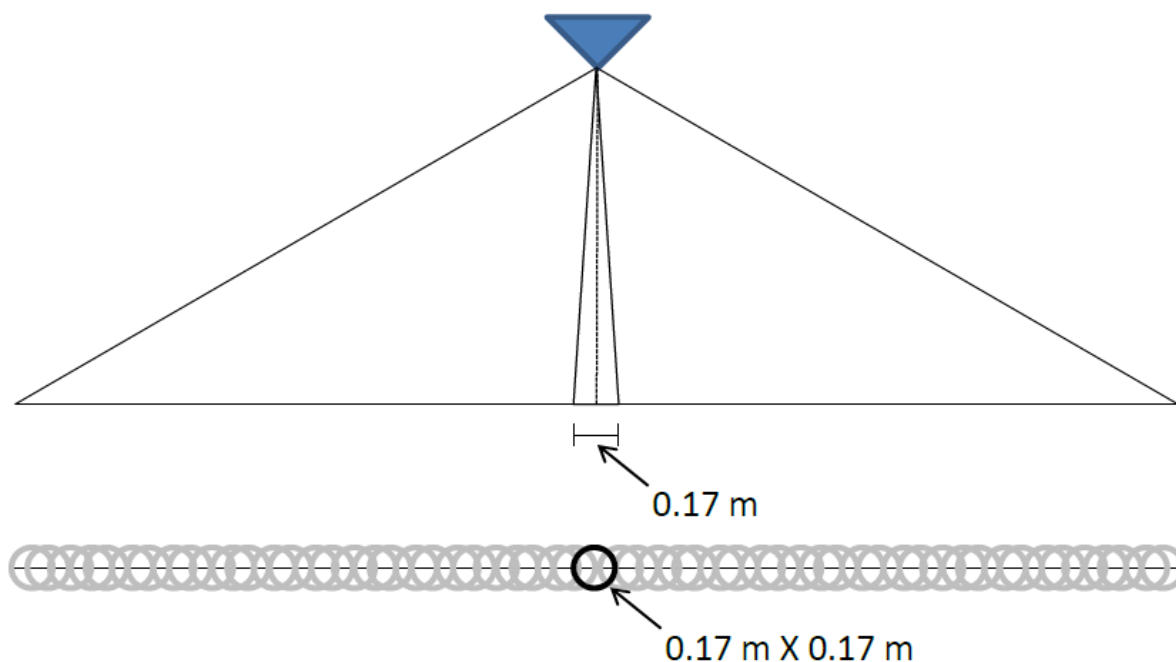


Figure F.1 — Sonar Footprint at Nadir

F.2.3. Sonar coverage

A benefit of multibeam sonars is the ability to collect a swath of depth estimates with each ping. The example sonar lists swath coverage as 5 times water depth. In 20 metres of water this system will ensonify 100 metres of seafloor every ping. This results in a 100 metre swath (50 metres to port and starboard) along the entire length of the survey line. See [Figure F.2](#).

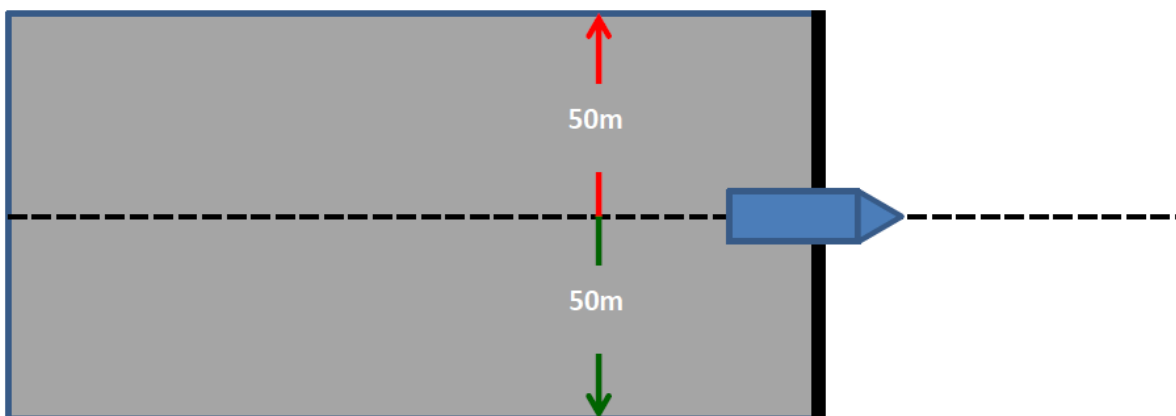


Figure F.2 — Swath Coverage of survey vessel

Total coverage:

17.8 km² of coverage each day.

533.4 km² of total coverage after 30 days.

F.3. Post Survey Process

F.3.1. High-density processing grid

Throughout the survey or at its completion hydrographers will process collected bathymetry, removing gross outliers and erroneous depth estimates. The current trend for processing large quantities of multibeam bathymetry is to generate grids to aid in this process. Generation of a grid improves

visualization of the survey and allows for the use of statistics to clean collected data. For the purpose of this example, the described process will produce a high-density seafloor model, selecting a grid resolution representative of twice the sonar footprint at nadir. Since twice the footprint is ~0.3 metres the processing resolution has been increased to 0.5 metres.

NOTE: The reason for gridding at such a high resolution is to eliminate the need to revisit the full source data point cloud (10.4 Billion Depth Estimates) every time a production effort is initiated. Production and archival of a high-density grid allows the HO to defocus the high-density surface to a coarser resolution more applicable to the intended charting product.

Results: A 0.5 metre grid for the example survey area: 2.1 Billion depth nodes, or < 20% of the total collected depth estimates. See [Figure F.3](#) for a graphic representation of the survey area at 0.5 metre resolution.

F.3.2. Generation of a production grid

Referencing the beginning of this Annex, the intended product is a 1:22,000 ENC. Reduction of the “high-density” grid to a 6 metre grid reduces the number of grid nodes from 2.1 Billion to 14.6 million. The resulting 6 metre grid serves as an example of soundings extracted to support chart production. **In total, less than 1% of collected depth estimates make it on a charting product.**

NOTE: If the 6-metre surface serves as the source for a complimentary S-102 dataset there will be ~169 nodal depths underneath a single charted sounding. See [Figure F.3](#).

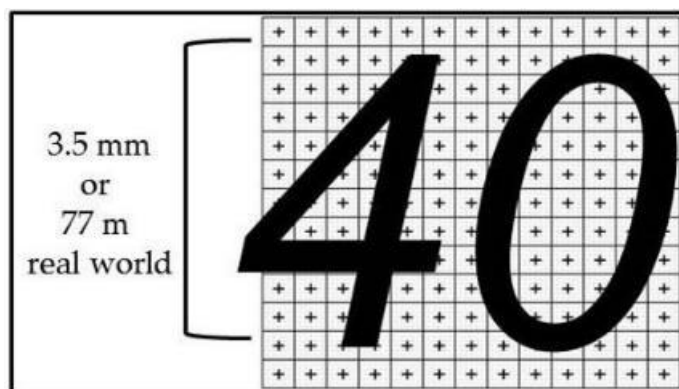


Figure F.3 — Charted Soundings vs 6-metre S-102 Grid